

User manual

Indoor/outdoor frame

Variabel III

Dear Customer!

We would like to thank you for your trust extended to us and for purchasing our product.

The Indoor/outdoor frame Variabel III distinguishes itself by its quality, security, easy operation and modern design.

For optimal use of this aid, we ask you and possible other users to carefully read this operating manual.



Please read through these instructions carefully before first use and handle equipment appropriately!

2 Table of contents

Topic	Page
1 Foreword	3
2 Table of contents	4
3 Safety instructions	5
4 Warranty and product liability	9
5 CE sign and position	9
6 Indications and prophylaxis	10
7 Purpose of use	10
8 Product overview	11
8.1 Basic model	11
8.2 Accessories / options	12
9 Initial operation	12
10 Assembly and adjustment	13
10.1 Basic model	13
10.2 Accessories / options	14
11 Types of models	18
11.1 Basic model	18
11.2 Accessories / options	19
12 Technical details	20
13 Cleaning and disinfection	21
14 Maintenance and overhaul	22
15 Operating life and Re-use	24
16 Faults, repairs, spare parts	25
17 Storage	26

3 Safety instructions

The Indoor/outdoor frame Variabel III is CE-marked and fulfils the requirements of the latest directives. It was developed in line with most recent findings. Production is subject to an on-going quality control.

Please read this user manual carefully before operating the Indoor/outdoor frame.

The user manual is an integral part of the Rehab aid. In case of loss, request a new copy or download directly from our download area on our homepage www.ato-form.com.

Please keep the user manual in a safe place, accessible to care and maintenance staff.

The user manual does not replace the experience of supervisory staff with the experience and knowledge of operators, which they gained from (for example) training courses.



In the event of specific or difficult applications, the user manual represents a guide to the most important handling.

Ensure all users of this aid understand its handling and the meaning of the symbols attached to the device.

Accidents can be prevented when technical instructions according to the EWG guidelines are followed.

Protective coverings, labels and warning notices may not be removed.

The maximum load-bearing capacity of the indoor frame is from up to 62 kg and the capacity of the outdoor frame is from up to 78 kg.

 **Regular monitoring at your specialist dealer (at least once a year) lengthens the life time of the Indoor/outdoor frame and gives you security.**
 **gives you security. Please also see section: maintenance and overhaul.**

3 Safety instructions

- Before mounting or using the Indoor/outdoor frame Variabel III carefully read all instructions of this user manual, as these have been drawn up for your safety and as a guideline for the correct use and maintenance of this product. This operating manual is an indispensable component of the delivery and should be stored carefully for further use.
- The operating manual is intended for retailers and users of the Indoor/outdoor frame Variabel III, (or their carers), it contains the required information to secure the correct use of the product, it cannot, however replace the necessary experience of the user or assistant in handling the device.
- The reseller has the duty to deliver the device ready for operation and to explain precisely the functions and technical data of the device, as well as provide the necessary support and briefing needed for a correct and efficient use of the device.
- The given instructions of the operating manual, refers to the point in time of the device being placed on the market. The manufacturer reserves the right to introduce any modifications which prove necessary to the device and associated operating manual, without being bound to change previous devices and associated operating manuals.
- Use of the rehabilitation aid and its accessories, must be administered under medical supervision.
- The Indoor/outdoor frame Variabel III must only be operated under supervision of a qualified person, or respectively a family member of the user.
- Never leave the user of the aid unattended.
- The Variabel III may only be operated by persons who have familiarized themselves with the standards and rules of the present operating manual.
- The Variabel III may only be used by persons of a suitable stature and physical aptitude.
- Never place a patient in an aid, which is not coordinated with his or hers body height and weight.
- Adjust settings only in the unloaded condition.
- Make sure that the moulded seat is mounted free of play and the patent snap locks are locked in place.
- Check if gas springs lock perfectly.
- Never try to open the gas spring (which are under very high pressure).
- Make sure that hydraulic hoses do not snap off or get loose. (risk of oil leakage – no function).
- In principle, the individual customization of the respective seat shell should be carried out by the responsible specialist retailer.
- Never leave the patient unattended with the frame. In case the accompanying person leaves or the seat tilt is being adjusted both brakes must be applied completely.

- Do not place any hot beverages or objects onto the aid you have purchased, as this would seriously damage the aid.
- Do not load any heavy objects onto the aid, as this would impair the structure, the centre of gravity and consequently impair the balance.
- Always ensure there are no obstacles in operating range of the rehab aid, such as carpets, stairs or objects on the floor, which could lead to the Indoor/outdoor frame Variabel III overturning.
- Move all objects out of the way, which could be hit or fall whilst operating the aid.
- Never use the aid on rough terrain, steeply sloping ground or stairs.
- Do not use the rehab aid before ensuring a complete and correct fitting of the safety belts, if available.
- Check all adjustable parts are locked, before every use of the aid.
- Apply the lever brakes for a secure stand when stopping.
- Always lock brakes before use, when setting, adjusting functions or accessories.
- Please note the individual and overall safety relevant information when using several rehabilitation aids simultaneously.
- All aspects of spatial influences (wet and smooth floors, steps or similar) must be taken into consideration by the carer or user.
- Do not use the Variabel III before checking the wheels of the aid.
- Wet and dirtied wheels can decrease the braking effect.
- Check regularly if all screws and handles etc. are firmly tightened. Worn and defect parts are to be repaired or replaced immediately. This is especially important to ensure a safe use of the rehab aid! Carefully check the clamping jigs and the like are securely fixed.
- Do not use the aid, if parts of it are damaged or missing. Missing parts are only to be replaced with original spare parts.
- Do not carry out any interferences or measurements if you are unsure of their effects; for your own safety contact the nearest service centre or contact the dealer directly.
- In case of accidents or malfunctions, contact the dealer or manufacturer from whom you purchased the device.
- The manufacturer is not liable for damage to persons, objects or animals resulting from false usage of the equipment by the user or third parties, through incorrect mounting of parts and accessories, by neglect or poor maintenance, neglect, through unauthorized alterations and modifications, usage of non-original spare parts or accessories, through unpredictable and exceptional events resulting from non-compliance of the regulations in the presented operating manual.
- Clean the Indoor/outdoor frame Variabel III in accordance with the instructions given in the chapter „cleaning“.

Safety instructions

- Please ensure before use the product is cleaned according to the cleaning instructions and if indicated also disinfected.
- Any serious incidents occurring in connection with the product must be reported to the manufacturer (ATO FORM GmbH) and the competent authority of the country in which the user is resident.

We constantly develop new aids and improve existing products. We are happy to receive your suggestions of every description.

4 Warranty and product liability

ATO FORM grants the required by law warranty of your country against defects in workmanship and materials.

The warranty would be adversely affected if the customer's responsibility of servicing and/or daily maintenance is not carried out according to the guidelines and intervals prescribed by the supplier and/or stated in the manual.

For further information, we refer to the ATO FORM homepage/download www.ato-form.com.

The warranty can only be sustained if the ATO FORM product is in use in the same country where it was purchased and if the product can be identified by the serial number. The warranty does not cover accidental damage, including damage caused by misuse or neglect.

The warranty does not extend to non-durable parts, which are subject to

normal wear and tear and need periodic replacement.

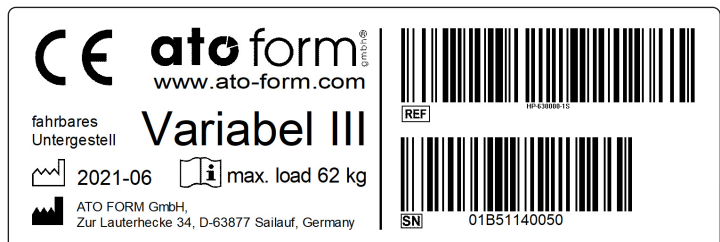
The warranty is null and void if non-original ATO FORM parts/accessories are used, or if the product is repaired or altered by anyone other than an authorized ATO FORM representative or by trained personnel officially recognized by ATO FORM for repair and maintenance of ATO FORM products.

ATO FORM reserves the right to inspect the product being claimed for and the relevant documentation before agreeing to the warranty claim and to decide upon whether to replace or repair the defective product. It is the customer's responsibility to return the item being claimed for under warranty to the address of purchase.

The warranty is given by ATO FORM or, subsequently an ATO FORM dealer.

5 CE sign and position

The CE label with details of the manufacturer, article number, serial number and production date is located on the frame.



6 Indications and prophylaxis

The Variabel III series serves to accommodate and mobilize an existing seat shell.

! The list of contraindications does not grant guarantee completeness. The patient's general condition is an important part of the risk assessment. In individual cases, the decision must be made by the attending physician, who must weigh the risks versus the expected benefits.

7 Purpose of use

The flexible indoor/outdoor frame Variabel III is intended for the living area. Usage is however also possible in special nursery schools, schools and other facilities.

By means of height and tilt adjustment, you can quickly adapt the seat shell to the individual requirements.

Easy sliding on and removing of the seat shell by means of the safety adapter system. The seat shell locks automatically into the bracket and is thereby securely anchored.

The device must be prescribed by a medical specialist, who has tested beforehand and determined if the Variabel III is suitable for the individual therapeutic goal of the patient. Furthermore, the medical specialist has determined the aid to be suitable according to measurements, weight and willingness of the patient to use the aid.

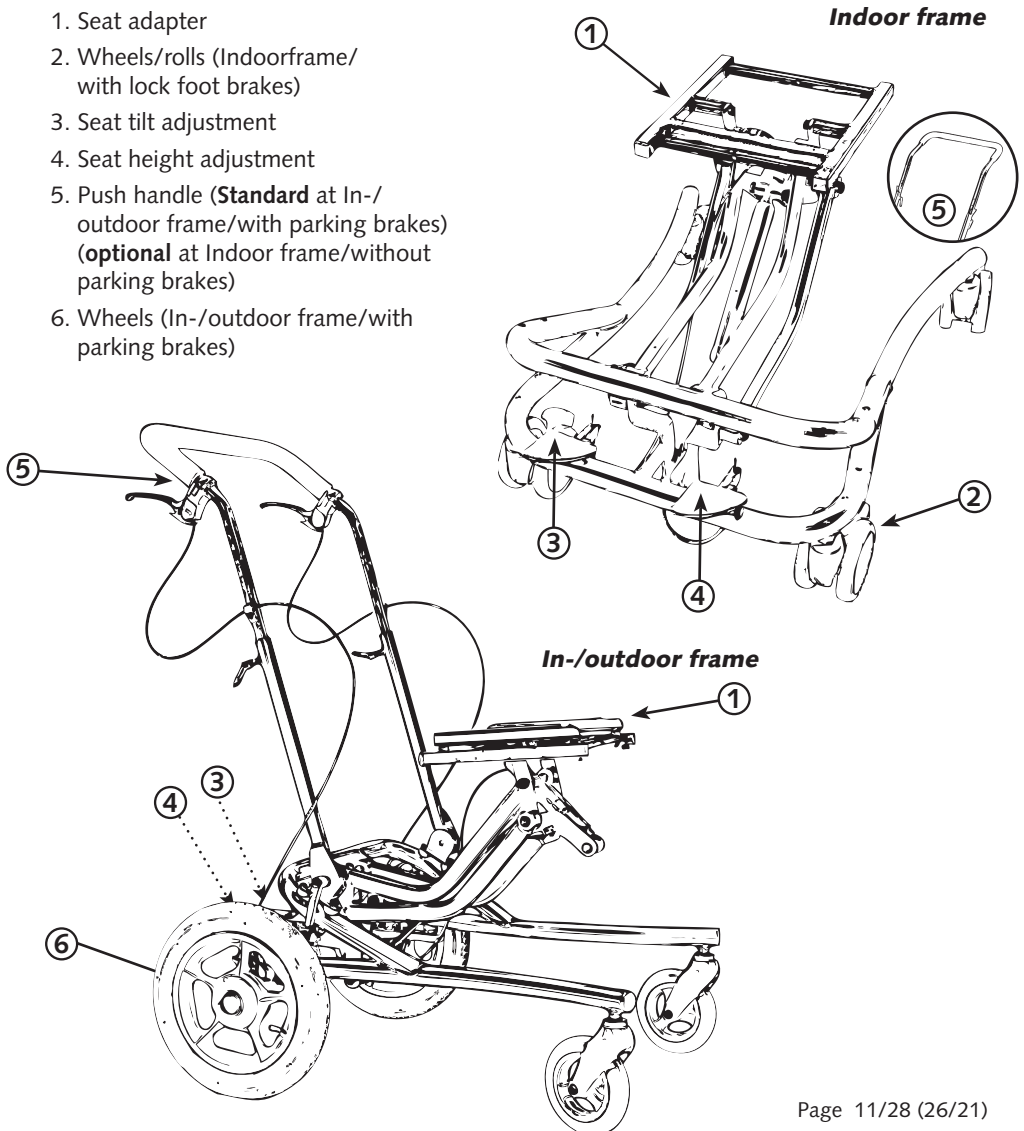
The aid is delivered via an authorised technician in compliance with the requirements of the country where it is being used and in strict accordance with the information and instructions in this manual for adjustments of the aid according to the measurements of the user. Only compliance of the regulations and instructions can lead to positive ergonomically effects.

We wish you every success when using the Indoor/outdoor frame Variabel III.

8 Product overview

8.1 Basic model

1. Seat adapter
2. Wheels/rolls (Indoorframe/
with lock foot brakes)
3. Seat tilt adjustment
4. Seat height adjustment
5. Push handle (**Standard** at In-/
outdoor frame/with parking brakes)
(**optional** at Indoor frame/without
parking brakes)
6. Wheels (In-/outdoor frame/with
parking brakes)



8.2 Accessories / options

For a complete overview of our extensive range of accessories for the Variabel III see item **11.2 Types and accessories on page 19**.

9 Initial operation

The reseller is to unpack the unit, ensure that the components and accessories listed in the scope of delivery are all present and undamaged, and give the buyer the initial instructions on use of the aid. Above all the reseller should read through the complete present user manual carefully, in order to then explain it to the customer in detail.

This way, with help of the reseller, the user as well as the attendant must become familiar with the correct operation of the aid.

Once the demonstration has been completed, the reseller must ensure the user and/or

the assistant have fully understood the basic functions of the equipment. This is the only way to prevent the user from dangerous situations.

The above mentioned requirements must be observed for first use and also for reuse.

The seller must give instruction for use, as well as explain the basic functions of the device according to MPG (medical products law) to qualified staff.

10 Assembly and adjustment

10.1 Basic model

Seat height adjustment (pic. 1)

Push foot switch (4) and push seat mount into the desired height (2).

Seat tilt adjustment (pic. 1)

Push foot switch (3) and push seat adapter into the desired tilt (1).

Tilt and height adjustment of the push handle (pic. 2)

Release clamping lever (5, 6) on both sides, set the push handle into the desired height (6) respectively tilt (7) and tighten clamping lever again.

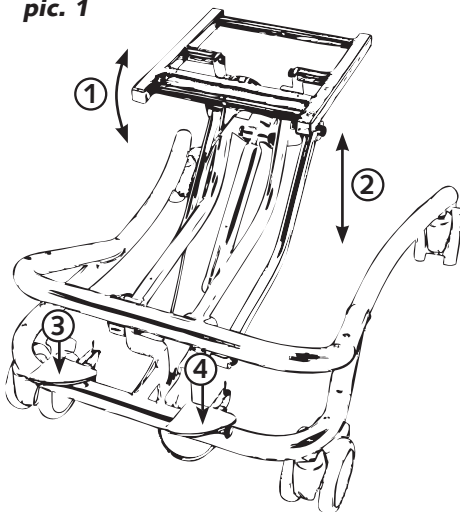
Using the foot brakes (indoor frame)

Push levers on the rear wheels to lock foot brakes left and right. Release brakes by raising the levers.

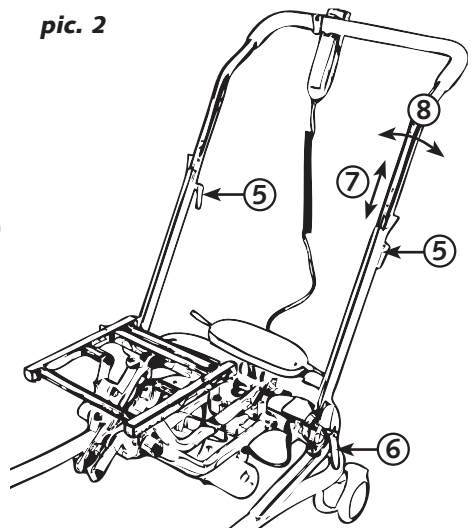
Brake levers on the push handle (In-/outdoor frame)

Brake levers are attached on each side of the push handle. By firmly tightening the brake levers, these engage and activate the parking brakes on the wheels.

pic. 1



pic. 2



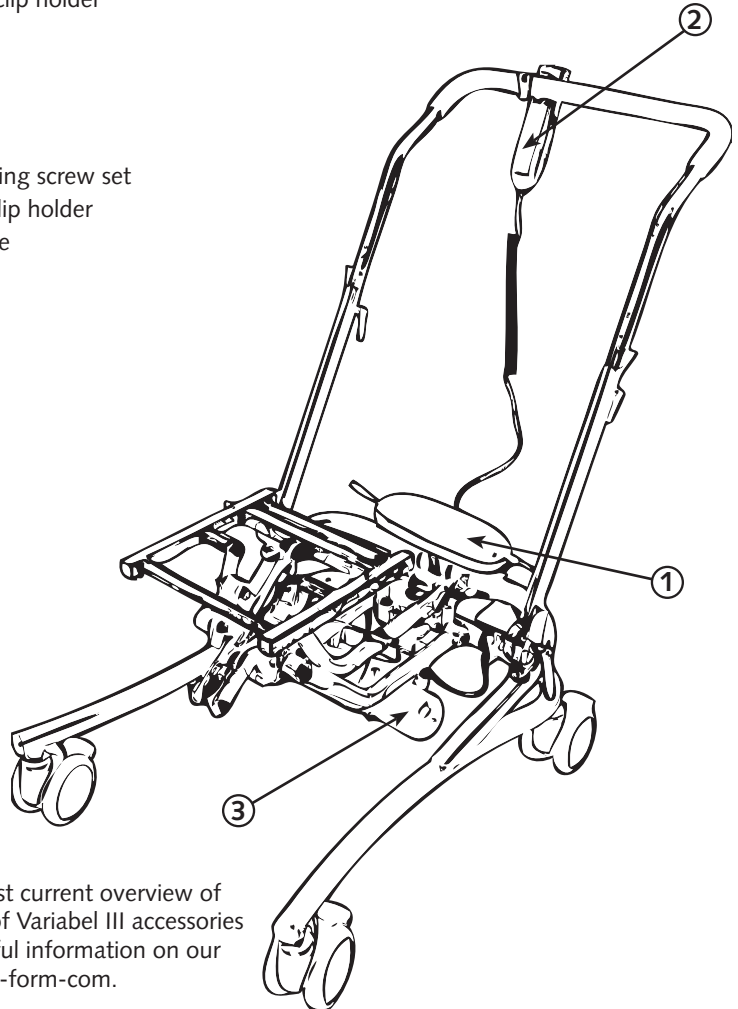
10.2 Accessories / options

Conversion kit for electric height adjustment – Equipment overview

1. Battery unit with clip holder
2. Hand control
3. Hoist motor

Scope of delivery

- Hoist motor including screw set
- Battery unit with clip holder
- Connection module
- Recharger cable
- Plug-in charger
- Hand control
- Cable tie



You will find the most current overview of our extensive offer of Variabel III accessories and much more useful information on our homepage www.ato-form-com.

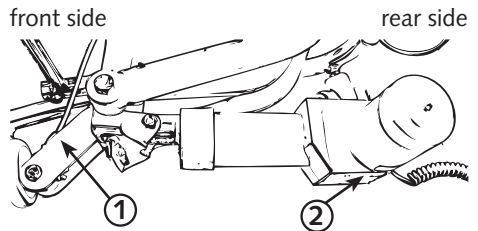
Preparation

- Dismantle gas spring inclusive bowden cable.
- Make sure that the components listed in the scope of delivery are completely available and undamaged.
- Before assembly of the motor unit, ensure the grey reducing bushes 010/15 are plugged into the fork head on the lifting rod side of the motor.

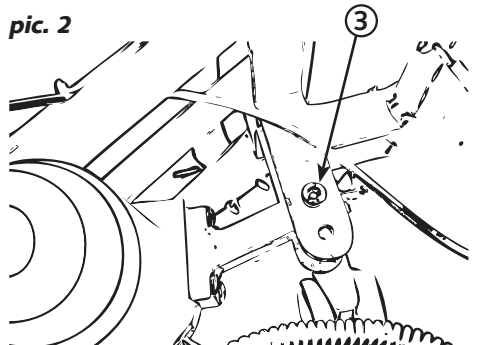
Assembly

- Start with the assembly of the motor on the side of the lifting rod (pic.1, no.1). The side of the housing with the type plate (2) on it must point downwards when the motor is installed (note the "UP" sticker!) During assembly, ensure the correct positioning of the fork head (pic.2, no.3) with little play in the motor mounting. Use the enclosed plastic discs for assembly. When screwing the fork head it must not be jammed and must remain moveable!.
- Then assemble the motor side mounting with the enclosed screws to the base of the frame. The mounting when installed must point diagonally upwards from the motor housing.

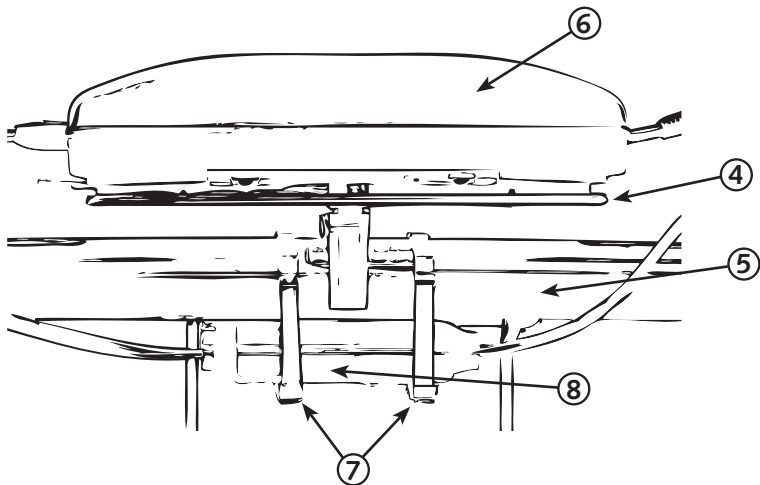
pic. 1



pic. 2



- In the next step, attach the battery pack (6) to the base. On the underside of the battery pack, is a plastic clip (4) which is put on the base (5) of the Variabel III and with slight pressure to the upper side of the battery is locked into place.
- Then fasten the connection module (8) underneath the battery pack with two pieces of the enclosed cable ties (7) as shown on the picture. Thereby make sure that the module sits tightly.
- Now insert cables of motor and hand control into the connection module. Pass the cable of the motor through the clevis of the motor mounting. Ensure to lay the cable of the motor, so it cannot be squeezed through the motor fastening.
- Finally, the connecting lead cable of the battery pack is guided along below the connection module and at the right end of the connection module tied together with the cable for the connection of the hand control by using a cable tie.
- After completed assembly check again that the connection module and the battery pack are tightly mounted and also check the mounting points of the motor to ensure a safe use of the complete device after the conversion.



11 Types and accessories

11.1 Basic model

- HP-630000-1S **Indoor frame** incl. seat adapter, black
- HP-630000-1B **Indoor frame** incl. seat adapter, blue
- HP-630300-1S **Combi Indoor/Outdoor frame** incl. seat adapter, black
- HP-630300-1B **Combi Indoor/Outdoor frame** incl. seat adapter, blue
- HP-630301-1S **Combi Indoor/Outdoor frame** incl. wheel quick release and seat adapter, black
- HP-630301-1B **Combi Indoor/Outdoor frame** incl. wheel quick release and seat adapter

11.2 Accessories / options

HP-630030-1S	Push handle , black
HP-630030-1BL	Push handle , blue
HP-630200	Height adjustment by electric motor , compl. with control unit, battery and recharger
HP-630305	Conversion to 500 N gas spring for height adjustment (in conjunction with the order of a Variabel III)
HP-630010-1S	Anti-tip stabiliser for indoor frame , black (Notice: 2 pieces are required)
HP-630310-1S	Anti-tip stabiliser for combi indoor/Outdoor frame , black (Notice: 2 pieces are required)
HP-680027	Physio-Punkt seating shell adapter
HP-630012	Footrest mounting centred
HP-630305-1	Subsequent conversion to gas spring 500 N for height adjustment
UZ-026-1503	Parallelogram footrest , small, black*
UZ-026-2503	Parallelogram footrest , medium, black*
UZ-026-3503	Parallelogram footrest , large, black*
UZ-028-9503	Standard holding bar for parallelogram footrest
HP-630311	Mounting plate for diverse seating shells adapter

* = Only applicable in conjunction with standard holding bar.



The most up-to-date overview of our extensive range of accessories for Variabel III and their description as well as much more useful information can be found on our homepage www.ato-form.com.

For special problems, or if it seems the accessories you require are not demonstrated nor described, please contact us.

We may already have the right solution for you.

12 Technical details

Variabel III		Indoor frame	In-/Outdoor frame
Article number:		HP-630000-1	HP-630300-1
Overall width:	cm	54	61
Overall length:	cm	65	75
Height seat moulding adapter:	cm	18 – 53	23 – 58
Seating shell tilt forwards:	degrees	5	5
Seating shell tilt backward:	degrees	bis 35	bis 35
Height adjustment push handle (depending an the angle):	cm	approx. 95 – 110	approx. 95 – 110
Maximum capacity without anti-tip stabilizer:	kg	62	78
Overall weight:	kg	13,65	16,8

Technical changes reserved!

Construction

The Indoor/outdoor frame Variable III consists of painted tubular steel construction. The adjustable metal parts are zinc plated.

Operating conditions

Temperature: +5 °C to +40 °C
 Relative humidity: 20% to 90% – no condensing
 Air pressure: 800 to 1060 hPA (Operation in an estimated height ≤ 2000 m)

13 Cleaning and disinfection

Leftovers, dirt and dust are always to be removed. Moving parts work easier, if you apply one drop of oil after cleaning.

Cleaning the metal parts:

The painted and chromed parts of the indoor/outdoor frame should only be cleaned using a soft cloth and mild and alcohol based customary cleaning agents.

Cleaning the rollers/wheels:

Keep the rollers clean at all times; regularly remove dust, hairs and other accumulating dirt from rollers.

Cleaning of textiles and imitation leather:

These are best cleaned using water and a mild detergent.

When using the cleaning agents the instructions of the manufacturer must be observed.

Disinfection:

For disinfecting, use household disinfectants and consider the following indications:

The assistant must wear suitable protective clothing (for example gloves) in order to avoid infections.

When using disinfecting agents always follow the instructions of the manufacturer.

Warning

Do not use strong solvents, which could damage the surface of the device.

The use of a high-pressure cleaner will void the warranty.

Ensure that the upholstery and wooden surfaces are kept clean. Urine and sweat can damage the product.

14 Maintenance and overhaul

For the protection of the warranty and safety, it is especially important that the Indoor/outdoor frame is serviced regularly once a year from the date of purchase.

It is recommended to make service arrangements. The manufacture will gladly provide the maintenance check list to your specialist dealer on request.

Please contact your specialist dealer to carry out corrective maintenance works for your Variabel III.

The device should be checked by the manufacturer at the latest after 3 years.

Maintenance Checklist

Castors

- No damage or wear
- Firm seat

Brakes

- Free from grease and dirt
- Full brake function
- No signs of damage or wear

Frame

- Metal parts; no signs of damage or wear, especially for adustable parts
- Welding seams are intact
- Fasteners, bolts, nuts and springs are secure
- Replacement of parts if there is any sign of wear
- No signs of wear of damage of the safety components

Date	Service performed	Name	Sign

15 Operating life and Re-use

The Variabel III is made from high quality materials and is subject to a continuous quality control in our house. Because of this and the solid construction, the expected operating life of our product is up to 5 years, depending on the usage intensity and number of re-uses, under normal and compliance with its intended use (according to the instructions given in our user manual).

The expected operating life does not apply to wear parts.

The product Variabel III was designed so it could be reused after the application of various measures.

Following measures should be followed:

- Thorough cleaning and disinfecting using appropriate cleaning agents.
- Replacement of wear parts
- Maintenance, following the maintenance schedule of the manufacturer or authorized specialist dealer.
- Preparing accompanying documents and release for re-use.

16 Faults, repairs, spare parts

If your toilet seat lift Variabel III cannot be operated?

Please ensure.....

- The battery pack is fully charged.
- All plug connections are plugged in correctly and secured.

Try and shut down the fault.

Failing that, contact your specialist dealer / reseller.

Only original accessories and original spare parts may be used. Non-compliance with these instructions and repairs carried out or modifications made to the Variabel III or its

parts by unauthorized persons, voids any warranties.

In these cases, any product liability granted by the manufacturer (ATO FORM GmbH, Zur Lauterhecke 34, 63877 Sailauf, Germany) is voided in advance.

For all questions about spare parts and accessories contact your specialist dealer or the ATO FORM-Service +49 6093-944-0.



Spare parts and accessories must not be removed or replaced while the patient is using the Indoor/outdoor frame!

17 Storage

Keep this operating manual in a safe place, where you or care and maintenance staff have access to it.

The current version of these instructions for use can be found on our homepage in the download area.



You can find more information about the product on our homepage at www.ato-form.com or under this QR code.



Disposal of battery operated devices



The battery pack must not be disposed of together with normal household waste at the end of its service life. Please observe the legal requirements in your area. Your municipal government and locally based waste disposal companies will be happy to provide you with information in this regard.

In environmental protection matters:

All packaging parts are re-useable. The cardboard packaging is to be recycled as waste paper. We therefore use paper as filler material. Possible used plastic film of the packaging are made out of PE and are therefore low in pollutant and can either be recycled or burnt.

Complete Range:

- Head and body protection
- Walking aids
- Gait trainer
- Standing aids
- Seating aids
- Hoists
- Customized solutions

Thank you for your interest in our products.
For questions please contact ATO FORM GmbH
or your specialist dealer.

Your ATO FORM Team



ATO FORM GmbH

Zur Lauterhecke 34, 63877 Sailauf, Germany

Tel. +49 6093 944-0, Fax +49 6093 944-444

E-Mail: info@ato-form.com

www.ato-form.com

Your specialist dealer