

# User manual

Toilet seat lift

## **Liftolet-Tilty** **Liftolet-Tilty Duo**



Dear Customer!

We would like to thank you for your trust extended to us and for purchasing our product.

The Toilet seat lift Liftolet-Tilty (models Liftolet-Tilty, Liftolet-Tilty Duo) distinguishes itself by its quality, security, easy operation and modern design.

For optimal use of this aid, we ask you and possible other users to carefully read this operating manual.



**Please read through these instructions carefully before first use and handle equipment appropriately!**

## 2 Table of contents

Topic	Page
1 <b>Foreword</b> .....	3
2 <b>Table of contents</b> .....	4
3 <b>Safety instructions</b> .....	5
4 <b>Warranty and product liability</b> .....	8
5 <b>CE sign and position</b> .....	9
6 <b>Indications and prophylaxis</b> .....	10
7 <b>Purpose of use</b> .....	10
8 <b>Product overview</b> .....	11
8.1 Basic model .....	11
8.2 Accessories / options .....	12
9 <b>Initial operation</b> .....	12
10 <b>Assembly and adjustment</b> .....	13
10.1 Basic model .....	13
10.2 Accessories / options .....	16
11 <b>Types and accessories</b> .....	18
11.1 Basic model .....	18
11.2 Accessories / options .....	18
12 <b>Technical details</b> .....	20
13 <b>Cleaning and disinfection</b> .....	23
14 <b>Maintenance and overhaul</b> .....	24
15 <b>Operating life and Re-use</b> .....	26
16 <b>Faults, repairs, spare parts</b> .....	27
17 <b>Storage</b> .....	30

### 3 Safety instructions

The Toilet seat lift Liftolet-Tilty is CE-marked and fulfills the requirements of the latest directives. It was developed in line with most recent findings. Production is subject to an on-going quality control.

Please read this user manual carefully before operating the Toilet seat lift.

The user manual is an integral part of the Rehab aid. In case of loss, request a new copy or download directly from our download area on our homepage [www.ato-form.com](http://www.ato-form.com).

Please keep the user manual in a safe place, accessible to care and maintenance staff.

The user manual does not replace the experience of supervisory staff with the experience and knowledge of operators, which they gained from (for example) training courses.

In the event of specific or difficult applications, the user manual represents a guide to

the most important handling.


Ensure all users of this aid understand its handling and the meaning of the symbols attached to the device.

Accidents can be prevented when technical instructions according to the EWG guidelines are followed.

Protective coverings, labels and warning notices may not be removed.

The maximum load-bearing capacity of the Liftolet-Tilty (standard version) is 85 kg.

The maximum load-bearing capacity of the Liftolet-Tilty Duo is 155 kg.

 **Regular monitoring at your specialist dealer (at least once a year) lengthens the life time of the Toilet seat lift and gives you security.**  
**Please also see section: maintenance and overhaul.**

### 3 Safety instructions

- Before mounting or using the Toilet seat lift Liftolet-Tilty carefully read all instructions of this user manual, as these have been drawn up for your safety and as a guideline for the correct use and maintenance of this product. This operating manual is an indispensable component of the delivery and should be stored carefully for further use.
- The operating manual is intended for retailers and users of the Toilet seat lift Liftolet-Tilty, (or their carers). It contains the required information to secure the correct use of the product, it cannot, however replace the necessary experience of the user or assistant in handling the device.
- The reseller has the duty to deliver the device ready for operation and to explain precisely the functions and technical data of the device, as well as provide the necessary support and briefing needed for a correct and efficient use of the device.
- The given instructions of the operating manual, refers to the point in time of the device being placed on the market. The manufacturer reserves the right to introduce any modifications which prove necessary to the device and associated operating manual, without being bound to change previous devices and associated operating manuals.
- The Toilet seat lift Liftolet-Tilty must only be operated under supervision of a qualified person, or respectively a family member of the user.
- The Liftolet-Tilty may only be operated by persons who have familiarized themselves with the standards and rules of the present operating manual.
- Any potential assistant must be familiar with the clinical picture of the user.
- The Liftolet-Tilty may only be used by persons of a suitable stature and physical aptitude.
- Never place a patient in an aid, which is not coordinated with his or hers body height and weight.
- Adjust settings only in the unloaded condition.
- Do not place any hot beverages or objects onto the aid you have purchased, as this would seriously damage the aid.
- Do not load any heavy objects onto the aid, as this would impair the structure, the centre of gravity and consequently impair the balance.
- Always ensure there are no obstacles in operating range of the rehab aid, such as carpets, stairs or objects on the floor, which could lead to the Toilet seat lift Liftolet-Tilty overturning.
- Check all adjustable parts are locked, before every use of the aid.
- Please note the individual and overall safety relevant information when using several rehabilitation aids simultaneously.
- All aspects of spatial influences (uneven, wet and smooth floors, steps or similar) must be taken into consideration by the carer or user.

- Check regularly if all screws and handles etc. are firmly tightened. Worn and defect parts are to be repaired or replaced immediately. This is especially important to ensure a safe use of the rehab aid! Carefully check the clamping jigs and the like are securely fixed.
  - Do not use the aid, if parts of it are damaged or missing. Missing parts are only to be replaced with original spare parts.
  - Do not carry out any interferences or measurements if you are unsure of their effects. For your own safety contact the nearest service centre or contact the dealer directly.
  - In case of accidents or malfunctions, contact the dealer or manufacturer from whom you purchased the device.
  - The Liftolet-Tilty is connected via a power plug to a standard household wall socket. The common safety regulations according to the German VDE (Verband Deutscher Elektrotechniker) standards for electricity grids in damp rooms are to be observed (electrical safety areas in damp rooms, socket type, protective conductor).
  - Regularly inspect the connector or cable connections and the socket for damage. In the case of damage contact immediately contact the manufacturer or an electrician.
  - A connection with an extension cable or multiple sockets is not permitted.
  - Battery operated model (option): when in use never allow the battery to discharge completely (observe charging indicator)! When the load limit has been reached an acoustic warning signal sounds.
  - Battery operated model (option): the battery must be charged for at least 24 hours before the first use of the Liftolet.
  - The batteries are only to be charged in dry conditions.
  - The manufacturer is not liable for damage to persons, objects or animals resulting from false usage of the equipment by the user or third parties, through incorrect mounting of parts and accessories, by neglect or poor maintenance, neglect, through unauthorized alterations and modifications, usage of non-original spare parts or accessories, through unpredictable and exceptional events resulting from non-compliance of the regulations in the presented operating manual.
  - Clean the Toilet seat lift Liftolet-Tilty in accordance with the instructions given in the chapter „cleaning“.
  - Please ensure before use the product is cleaned according to the cleaning instructions and if indicated also disinfected.
  - Any serious incidents occurring in connection with the product must be reported to the manufacturer (ATO FORM GmbH) and the competent authority of the country in which the user is resident.
- We constantly develop new aids and improve existing products. We are happy to receive your suggestions of every description.**

## 4 Warranty and product liability

ATO FORM grants the required by law warranty of your country against defects in workmanship and materials.

The warranty would be adversely affected if the customer's responsibility of servicing and/or daily maintenance is not carried out according to the guidelines and intervals prescribed by the supplier and/ or stated in the manual.

For further information, we refer to the ATO FORM homepage/download [www.ato-form.com](http://www.ato-form.com).

The warranty can only be sustained if the ATO FORM product is in use in the same country where it was purchased and if the product can be identified by the serial number. The warranty does not cover accidental damage, including damage caused by misuse or neglect.

The manufacturer's obligations transfer then to the person carrying out the modifications.

The warranty does not extend to non-durable parts, which are subject to normal wear and tear and need periodic replacement.

The warranty is null and void if non-original ATO FORM parts/accessories are used, or if the product is repaired or altered by anyone other than an authorized ATO FORM representative or by trained personnel officially recognized by ATO FORM for repair and maintenance of ATO FORM products.

ATO FORM reserves the right to inspect the product being claimed for and the relevant documentation before agreeing to the warranty claim and to decide upon whether to replace or repair the defective product. It is the customer's responsibility to return the item being claimed for under warranty to the address of purchase.

The warranty is given by ATO FORM or, subsequently, an ATO FORM dealer.



## 5 CE sign and position

The CE label with details of the manufacturer, article number, serial number and date of manufacture is located on the base at the rear right.



## 6 Indications and prophylaxis

- Amyotrophic lateral sclerosis (ALS) Arthritis
  - Osteoarthritis
  - Multiple sclerosis
  - Muscular dystrophy
  - Paresis
  - Parkinson's disease/Morbus Parkinson
  - Rheumatism
  - Gout patients
  - Polio
- and other muscle disorders

### **contraindications**

- Inability to walk or stand
- Inability to sit
- Inability to put weight on the feet for a short time despite support

! The list of contraindications does not grant guarantee completeness. The patient's general condition is an important part of the risk assessment. In individual cases, the decision must be made by the attending physician, who must weigh the risks versus the expected benefits.

## 7 Purpose of use

The Liftolet Tilty is a stand-up aid that supports them in their everyday walk to the toilet. The user is gently and steplessly brought by the Liftolet Tilty, at the touch of a button, into a sitting or standing position. The folding support handles can be folded back for easy access. In the care sector, the Liftolet Tilty offers nursing staff a great deal of relief during care and the patient the necessary support when going to the toilet is difficult.

The Liftolet Tilty is also suitable for domestic wet areas such as the toilet and bathroom. The Liftolet Tilty is not suitable for use under running water, such as in a shower.

The device must be prescribed by a medical specialist, who has tested beforehand and determined if the Liftolet-Tilty is suitable for the individual therapeutic goal of the patient. Furthermore, the medical specialist has determined the aid to be suitable according to measurements, weight and willingness of the patient to use the aid.

The aid is delivered via an authorised technician in compliance with the requirements of the country where it is being used and in strict accordance with the information and instructions in this manual for adjustments of the aid according to the measurements of the user. Only compliance of the regulations and instructions can lead to positive ergonomically effects.

We wish you every success when using the Toilet seat lift Liftolet-Tilty.

## 8 Product overview

### 8.1 Basic model

1. Lifting columns
2. Carrier plate for the WC seat
3. WC-seat with lid
4. Upward folding support handles
5. Remote control
6. Control unit



Image model Lifolet-Tilty Duo  
with maximum capacity 155 kg.

## 8.2 Accessories / options

Liftolet-Tilty can also be optionally operated via a battery unit (also suitable for wall mounting).

For a complete overview of our extensive range of accessories for the Liftolet-Tilty see item **11.2 Types and accessories** on page 19.



## 9 Initial operation

The reseller is to unpack the unit, ensure that the components and accessories listed in the scope of delivery are all present and undamaged, and give the buyer the initial instructions on use of the aid. Above all the reseller should read through the complete present user manual carefully, in order to then explain it to the customer in detail.

This way, with help of the reseller, the user as well as the attendant must become familiar with the correct operation of the aid.

Once the demonstration has been complet-

ed, the reseller must ensure the user and/or the assistant have fully understood the basic functions of the equipment. This is the only way to prevent the user from dangerous situations.

The above mentioned requirements must be observed for first use and also for reuse.

The seller must give instruction for use, as well as explain the basic functions of the device according to MPG (medical products law) to qualified staff.

## 10 Assembly and adjustment

### 10.1 Basic model

**Preparation:**

Unpack the product and remove the packing materials.

The device is completely assembled.

Ensure that the product is complete and undamaged.

**One-man assembly:**

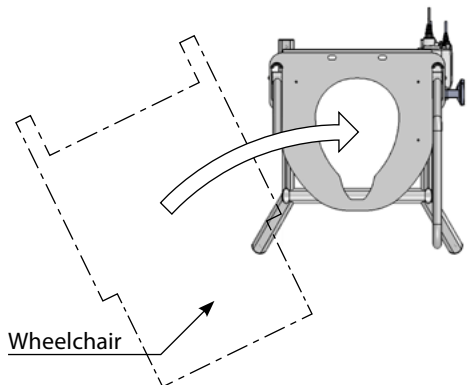
- Liftoilet can be mounted by one person.

**Space requirement:**

- If the Liftoilet is used by a wheel chair user, then the entry side is according to the space available.

**Preparing for self-assembly:**

- Unpack the product and remove the packing materials.
- Ensure that all supplied components are present and undamaged.
- Have the required tools, components and mounting elements ready to hand before beginning the assembly.
- The floor area on which the Liftoilet is to be installed should be level. If the floor surface is uneven, measures should be taken on-site to produce a surface that is even or suitably leveled out.
- Ensure that the floor area on which the Liftoilet is to be installed is dry and clean.

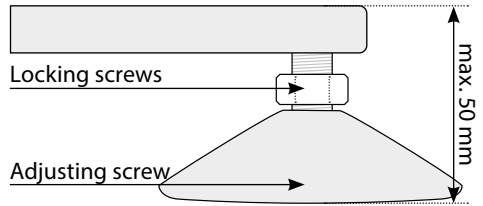


## Mounting:

- After the conditions are given for mounting, place the Liftolet-Tilty over the WC and position correctly.

**Attention:**  
**When positioning the Liftolet-Tilty, do not grasp it by the support handles but only by the lifting columns.**

- Slight unevenness in the floor can be compensated for with the adjusting screws on the feet.
- Loosen the locking screw
- Level out the height with the adjusting screws so that the Liftolet tilty stands securely on the floor with all four feet.
- Secure the height of the adjusting screws with the locking screws by tightening them firmly.
- Liftolet-Tilty should stand horizontally. The use of a suitable aid (e.g. spirit level) is recommended for adjustment.



**Attention:**  
**Only minor unevenness can be compensated for with the adjusting screws. Make sure that you do not turn them out too far. The adjustment range is 10 mm.**

- Please note that the structural rules are to be observed. It must be ensured that the floor condition can withstand the load and no cables in the ground are damaged.

**Attention:**  
**Make sure that Liftolet-Tilty does not fall over when it is raised.**

**Attention:**  
**Check at regular intervals that Liftolet-Tilty stands securely on the floor with all four adjusting screws. This is absolutely necessary for safe handling of this aid.**

### **How it works:**

There are two buttons on the hand control that move the toilet seat up and down together with the support folding handles.

### **Sit down:**

To sit down, the toilet seat is first raised until you can sit down on the toilet seat surface from a standing position. By pressing a button on the hand control, the seat and the support handles then move down simultaneously to the normal toilet seat height. The user slowly takes up his normal sitting position without any effort.

### **Stand up:**

It is just as comfortable to stand up as it is to sit down. At the touch of a button, the seat and support arms are lifted upwards until the user is straightened up again.

### **Support arms:**

The support arms can be folded upwards.

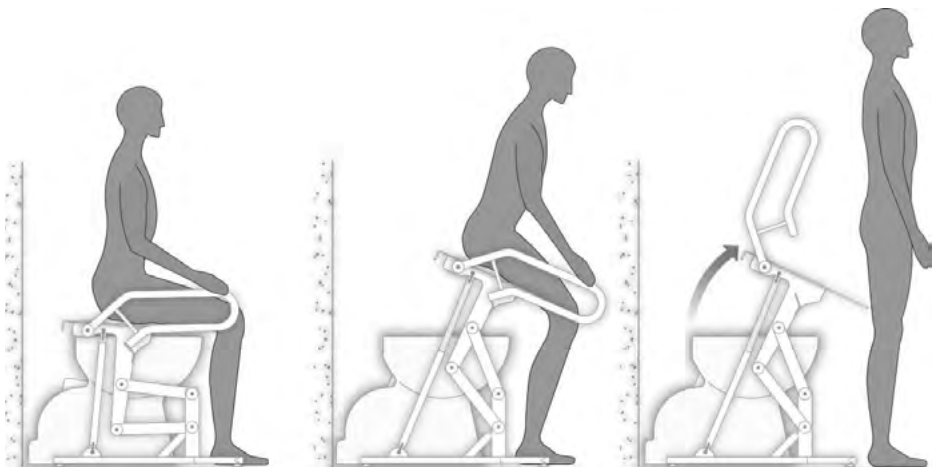
Attention:  
To prevent unintended operation for example by children, the support arms should be folded upwardly when not in use.



Attention danger of clamping!

Attention:  
Please also observe the safety instructions for the power supply.

Attention:  
In doing so, ensure the feet always stay firmly on the ground.



## 10.2 Accessories / options

Liftolet Tilty can be equipped with a rechargeable battery unit, which can be permanently supplied with charging current via the control unit.

### **LED power indicator Battery**

Steady yellow	Charging (battery not ready)
No LED light	Fully charged (battery ready)
Yellow flashing	Error during charging

### **LED operating display control unit**

Orange	Over battery and operation System is working properly
No LED	Over battery but not in operation, not connected to mains power

### **Buzzer function**

The buzzer sounds a warning when a button on the hand control is pressed and the battery capacity is low.

The buzzer can also be activated via the control unit to signal other states. This must be specified in the software of the control unit.

The battery is permanently connected and is supplied with charging current via the control unit.

### **Attention**

**Make sure that the charging cable is outside the area of use.**

### **Attention**

**Before first use, the batteries must be charged for 24 hours to ensure proper function and extended life.**

### **Non-liability**

The person carrying out the works is solely responsible for proper and professional mounting of the Liftolet. The manufacturer accepts no liability for the carried out works or any damages resulting from this.

For a complete overview of our extensive range of accessories for the Liftolet-Tilty see item **11.2 Types and accessories** on page 19.



### **Commissioning**

The following steps are required for restarting the system when the system is started up for the first time and in the event of a fault.

Initial assembly / initialisation of the drives:

- Press and hold the DOWN button until the actuators move.
- Now press the button again until the actuators have reached the lower end position.
- Then press the UP button until the lifting columns have moved up approx. 5 cm.
- Then press the DOWN button again until the lifting columns have reached the lower end position again and the control unit switches off both drives.
- The sensors of the drives are now calibrated.
- The system is now initialised and can be put into operation.

### **Battery maintenance**

The batteries must be replaced after four years at the latest, depending on the intensity of use, possibly even earlier. Frequent and rapid discharging reduces the life of the batteries. To achieve an optimal life span, the batteries should be connected to the mains as often as possible. The batteries must be recharged every three months at the latest, otherwise they will be damaged due to self-discharge.

#### **Attention,**

**To avoid an unintended function, it is pointed out that several keys must not be pressed simultaneously.**

#### **Attention**

**If the system cannot be put into operation after initialisation or after a fatal error reset, contact the manufacturer.**

#### **Attention**

**Batteries are excluded from the warranty!**

**The battery is only to be charged in dry conditions.**

**When in use never allow the battery to discharge completely (observe charging indicator)! Ensure the battery is recharged (overnight) when in use on a daily basis. The battery cannot be overcharged as the battery charger switches automatically as soon as the battery is fully charged.**

## 11 Types and accessories

### 11.1 Basic model

Article number	description
LT-1000-T	<b>toilet seat lift Liftolet-Tilty</b>
LT-1000-TD	<b>toilet seat lift Liftolet-Tilty Duo</b>

### 11.2 Accessories / options

Liftolet-Tilty can optionally be equipped with a battery.

 **The most up-to-date overview of our extensive range of accessories for Liftolet-Tilty and their description as well as much more useful information can be found on our homepage [www.ato-form.com](http://www.ato-form.com).**

For special problems, or if it seems the accessories you require are not demonstrated nor described, please contact us.

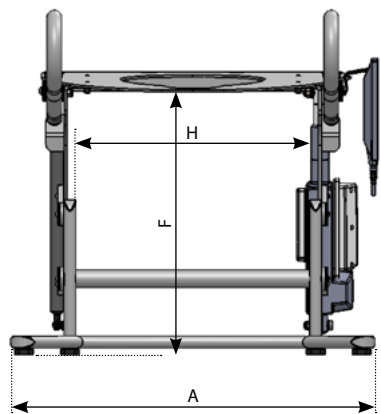
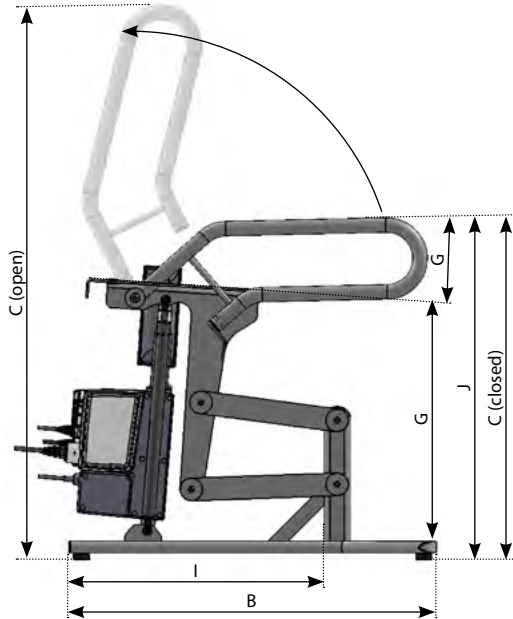
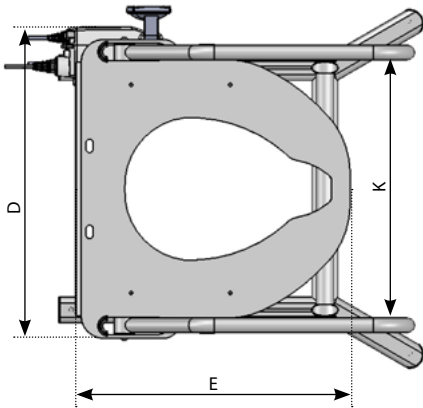
We may already have the right solution for you.



## 12 Technical details

Liftolet-Tilty / Liftolet-Tilty Duo		LT-1000-T	LT-1000-TD	
	Indicative user height	cm	up to 190.0	
A	Overall width	cm	63.0	
B	Overall depth	cm	64.2	
C	Overall height	cm	63.1 to 121.5	
D	Seat width	cm	52.5	
E	Seat depth	cm	48.4	
F	Free height under the seat	cm	49.0	
G	Seat inclination	Degrees	4° to 25°	
H	Free width under the seat	cm	40.5	
I	Free depth under the seat	cm	44.6	
J	Hight of the support arms	cm	63.1	
K	Space between the arm supports	cm	45.5	
	Maximum load	kg	85.0	155.0
	Product weight	kg	25.0	28.0
	Power consumption		72.0 W	
	Power consumption (Standby)		5.0 W	
	Protection class		IPX6	
	Maximum lifting speed	mm/s	16.0	
	Electric drive		24-Volt drive system, the same can also be used with a rechargeable battery as an option	
	Electric connection		230 V	

**Technical changes reserved!**



**Construction**

All outside parts are made out of high quality corrosion-resistant materials: stainless steel and plastics.

The surface of the equipment parts which by normal use come in contact with the skin, consist of skin friendly plastics (WC-seat and support arms) or are coated with powder coating.

The metal parts and all screws are out of Stainless steel.

**Operating conditions**

Temperature: +5 °C to +40 °C

Relative humidity: 20% to 90% – noncondensing

Air pressure: 800 to 1060 hPA  
(Operation in an estimated height ≤ 2000 m)

## 13 Cleaning and disinfection

In order to ensure lasting trouble-free operation of the Liftolet in almost all operating conditions influenced by the existing conditions on site, please note the following:

Clean the device regularly with a mild soapy solution. We recommend cleaning the Liftolet after each use.

When using cleaning agents, always follow the manufacturer's instructions.

After cleaning ensure that a light lubricating film is present on the sliding surface of the lifting columns.

The use of a sprayable lubricant to renew the lubricating film after each cleaning of the lifting columns is recommended.

Drive the device to the lowest position of the lifting columns once per week.

To do this, hold down the control button for the DOWN direction until both lifting columns have reached the lower end position and shut off.

By regularly initializing the drive sensors, a possible position difference can be prevented.

### **Disinfection:**

For disinfecting, use household disinfectants and consider the following indications:

The assistant must wear suitable protective clothing (for example gloves) in order to avoid infections.

When using disinfecting agents always follow the instructions of the manufacturer.

### **Warning**

**Do not use strong solvents, which could damage the surface of the device.**

**The use of a high-pressure cleaner will void the warranty.**

## 14 Maintenance and overhaul

For the protection of the warranty and safety, it is especially important that the Toilet seat lift is serviced regularly once a year from the date of purchase.

It is recommended to make service arrangements. The manufacture will gladly provide the maintenance check list to your specialist dealer on request.

Please contact your specialist dealer to carry out corrective maintenance works for your Liftolet-Tilty.

The device should be checked by the manufacturer at the latest after 3 years.

### **Maintenance Checklist**

#### **Frame**

- Metal parts; no signs of damage or wear, especially for adjustable parts
- Welding seams are intact
- Fasteners, bolts, nuts and springs are secure
- Replacement of parts if there is any sign of wear
- No signs of wear or damage of the safety components



Date	Service performed	Liftolet-Tilty	Sign

## 15 Operating life and Re-use

The Liftolet-Tilty is made from high quality materials and is subject to a continuous quality control in our house. Because of this and the solid construction, the expected operating life of our product is up to 5 years, depending on the usage intensity and number of re-uses, under normal and compliance with its intended use (according to the instructions given in our user manual).

The expected operating life does not apply to wear parts.

The product Liftolet-Tilty was designed so it could be reused after the application of various measures.

Following measures should be followed:

- Thorough cleaning and disinfecting using appropriate cleaning agents.
- Replacement of wear parts
- Maintenance, following the maintenance schedule of the manufacturer or authorized specialist dealer.
- Preparing accompanying documents and release for re-use.

## 16 Faults, repairs, spare parts

If your Toilet seat lift Liftoilet-Tilty cannot be operated?

Please ensure.....

- The plug is plugged in the socket and is supplied with power.
- All plug connections are plugged in correctly and secured.

Try and shut down the fault.

Failing that, contact your specialist dealer / reseller.

Only original accessories and original spare parts may be used. Non-compliance with these instructions and repairs carried out or modifications made to the Liftoilet-Tilty or its parts by unauthorized persons, voids any warranties.

In these cases, any product liability granted by the manufacturer (ATO FORM GmbH, Zur Lauterhecke 34, 63877 Sailauf, Germany) is voided in advance.

For all questions about spare parts and accessories contact your specialist dealer or the ATO FORM-Service +49 6093 944-0.



**Spare parts and accessories must not be removed or replaced while the patient is using the Toilet seat lift!**





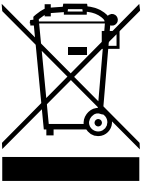
## 17 Storage

Keep this operating manual in a safe place, where you or care and maintenance staff have access to it.

The current version of these instructions for use can be found on our homepage in the download area.

You can find more information about the product on our homepage at [www.ato-form.com](http://www.ato-form.com) or under this QR code.

#### Disposal of battery operated devices



The battery pack must not be disposed of together with normal household waste at the end of its service life. Please observe the legal requirements in your area. Your municipal government and locally based waste disposal companies will be happy to provide you with information in this regard.

#### **In environmental protection matters:**

**All packaging parts are re-useable. The cardboard packaging is to be recycled as waste paper. We therefore use paper as filler material. Possible used plastic film of the packaging are made out of PE and are therefore low in pollutant and can either be recycled or burnt.**

Complete Range:

- Head and body protection
- Walking aids
- Gait trainer
- Standing aids
- Seating aids
- Hoists
- Customized solutions

Thank you for your interest in our products.  
For questions please contact ATO FORM GmbH or  
your specialist dealer.

Your ATO FORM Team



**ATO FORM GmbH**

Zur Lauterhecke 34, 63877 Sailauf, Germany

Tel. +49 6093 944-0, Fax +49 6093 944-444

E-Mail: [info@ato-form.com](mailto:info@ato-form.com)

[www.ato-form.com](http://www.ato-form.com)

Your specialist dealer