

User manual

Toilet seat lift

Liftolet **Liftolet Narrow**

Dear Customer!

We would like to thank you for your trust extended to us and for purchasing our product.

The toilet seat lift Liftolet distinguishes itself by its quality, security, easy operation and modern design.

For optimal use of this aid, we ask you and possible other users to carefully read this operating manual.



Please read through these instructions carefully before first use and handle equipment appropriately!

2 Table of contents

Topic	Page
1 Foreword	3
2 Table of contents	4
3 Safety instructions	5
4 Warranty and product liability	8
5 CE sign and position	9
6 Indications and prophylaxis	10
7 Purpose of use	10
8 Product overview	11
8.1 Basic model	11
8.2 Accessories / options	12
9 Initial operation	13
10 Assembly and adjustment	14
10.1 Basic model	14
10.2 Accessories / options	19
11 Types of models and Accessories	20
11.1 Basic model	20
11.2 Accessories / options	20
12 Technical details	22
13 Cleaning and disinfection	25
14 Maintenance and overhaul	26
15 Operating life and Re-use	28
16 Faults, repairs, spare parts	29
17 Storage	30

3 Safety instructions

The toilet seat lift Liftolet is CE-marked and fulfils the requirements of the latest directives. It was developed in line with most recent findings. Production is subject to an on-going quality control.

Please read this user manual carefully before operating the toilet seat lift.

The user manual is an integral part of the Rehab aid. In case of loss, request a new copy or download directly from our download area on our homepage www.ato-form.com.

Please keep the user manual in a safe place, accessible to care and maintenance staff.

The user manual does not replace the experience of supervisory staff with the experience and knowledge of operators, which they gained from (for example)

training courses.

In the event of specific or difficult applications, the user manual represents a guide to the most important handling.

Ensure all users or supervisor of this aid understand its handling and the meaning of the symbols attached to the device.

Accidents can be prevented when technical instructions according to the EWG guidelines are followed.

Protective coverings, labels and warning notices may not be removed.

The maximum load-bearing capacity of the Liftolet standard model is 150 kg.

The maximum load-bearing capacity of the Liftolet narrow model is 150 kg.

 **Regular monitoring at your specialist dealer (at least once a year) lengthens the life time of the toilet seat lift and gives you security.**

Please also see section: Maintenance and overhaul.

3 Safety instructions

- Before mounting or using the toilet seat lift Liftolet carefully read all instructions of this user manual, as these have been drawn up for your safety and as a guideline for the correct use and maintenance of this product. This operating manual is an indispensable component of the delivery and should be stored carefully for further use.
- The operating manual is intended for retailers and users of the toilet seat lift Liftolet, (or their carers). It contains the required information to secure the correct use of the product, it cannot, however replace the necessary experience of the user or assistant in handling the device.
- The reseller has the duty to deliver the device ready for operation and to explain precisely the functions and technical data of the device, as well as provide the necessary support and briefing needed for a correct and efficient use of the device.
- The given instructions of the operating manual, refers to the point in time of the device being placed on the market. The manufacturer reserves the right to introduce any modifications which prove necessary to the device and associated operating manual, without being bound to change previous devices and associated operating manuals.
- The toilet seat lift Liftolet may only be operated by persons who have familiarized themselves with the standards and rules of the present operating manual.
- Any potential assistant must be familiar with the clinical picture of the user.
- The Liftolet may only be used by persons of a suitable stature and physical aptitude.
- Never place a patient in an aid, which is not coordinated with his or hers body height and weight.
- Adjust settings only in the unloaded condition.
- Do not place any hot beverages or objects onto the aid you have purchased, as this would seriously damage the aid.
- Do not load any heavy objects onto the aid, as this would impair the structure, the centre of gravity and consequently impair the balance.
- Move all objects out of the way, which could be hit or fall whilst operating the aid.
- Check all adjustable parts are locked, before every use of the aid.
- Please note the individual and overall safety relevant information when using several rehabilitation aids simultaneously.
- All aspects of spatial influences (uneven, wet and smooth floors, steps or similar) must be taken into consideration by the carer or user.
- Check regularly if all screws and handles etc. are firmly tightened. Worn and defect parts are to be repaired or replaced immediately. This is especially important to ensure a safe use of the rehab aid! Carefully check the clamping jigs and the like are securely fixed.

- Do not use the aid, if parts of it are damaged or missing. Missing parts are only to be replaced with original spare parts.
- Do not carry out any interferences or measurements if you are unsure of their effects; for your own safety contact the nearest service centre or contact the dealer directly.
- In case of accidents or malfunctions, contact the dealer or manufacturer from whom you purchased the device.
- The Liftolet is connected via a power plug to a standard household wall socket. The common safety regulations according to the German VDE (Verband Deutscher Elektrotechniker) standards for electricity grids in damp rooms are to be observed (electrical safety areas in damp rooms, socket type, protective conductor).
- Regularly inspect the connector or cable connections and the socket for damage. In the case of damage contact immediately contact the manufacturer or an electrician.
- A connection with an extension cable or multiple sockets is not permitted.
- Battery operated model: when in use never allow the battery to discharge completely (observe charging indicator)! When the load limit has been reached an acoustic warning signal sounds.
- Battery operated model :the battery must be charged for at least 24 hours before the first use of the Liftolet.
- The batteries are only to be charged in dry conditions.
- The manufacturer is not liable for damage to persons, objects or animals resulting from false usage of the equipment by the user or third parties, through incorrect mounting of parts and accessories, by neglect or poor maintenance, neglect, through unauthorized alterations and modifications, usage of non-original spare parts or accessories, through unpredictable and exceptional events resulting from non-compliance of the regulations in the presented operating manual.
- Clean the toilet seat lift Liftolet in accordance with the instructions given in the chapter „cleaning“.
- Please ensure before use the product is cleaned according to the cleaning instructions and if indicated also disinfected.
- Any serious incidents occurring in connection with the product must be reported to the manufacturer (ATO FORM GmbH) and the competent authority of the country in which the user is resident.
- The Liftolet must not be rinsed with running water, e.g. from the shower, and must not be splashed with water. Penetrating moisture can damage the electronics.

Attention:

When positioning the Liftolet, do not grasp it by the cable channel, the base plate or the support handles, but only by the lifting columns.

We constantly develop new aids and improve existing products. We are happy to receive your suggestions of every description.

4 Warranty and product liability

ATO FORM grants the required by law warranty of your country against defects in workmanship and materials.

The warranty would be adversely affected if the customer's responsibility of servicing and/or daily maintenance is not carried out according to the guidelines and intervals prescribed by the supplier and/ or stated in the manual.

For further information, we refer to the ATO FORM homepage/download www.ato-form.com.

The warranty can only be sustained if the ATO FORM product is in use in the same country where it was purchased and if the product can be identified by the serial number. The warranty does not cover accidental damage, including damage caused by misuse or neglect.

The manufacturer's obligations transfer then to the person carrying out the modifications.

The warranty does not extend to non-durable parts, which are subject to normal wear and tear and need periodic replacement.

The warranty is null and void if non-original ATO FORM parts/accessories are used, or if the product is repaired or altered by anyone other than an authorized ATO FORM representative or by trained personnel officially recognized by ATO FORM for repair and maintenance of ATO FORM products.

ATO FORM reserves the right to inspect the product being claimed for and the relevant documentation before agreeing to the warranty claim and to decide upon whether to replace or repair the defective product. It is the customer's responsibility to return the item being claimed for under warranty to the address of purchase.

The warranty is given by ATO FORM or, subsequently, an ATO FORM dealer.

5 CE sign and Position

The CE-label, which includes the article number, serial number and manufacturer information is located on the back of the right column.



6 Indications and prophylaxis

- Muscular dystrophy
- Neurological diseases
- Multiple sclerosis
- Gout patients
- Polio

and other muscle disorders

Contraindications

- Inability to walk or stand
- Inability to sit
- Inability to put weight on the feet for a short time despite support

! The list of contraindications does not grant guarantee completeness. The patient's general condition is an important part of the risk assessment. In individual cases, the decision must be made by the attending physician, who must weigh the risks versus the expected benefits.

7 Purpose of use

The Liftolet is a stand-up aid that supports you during your daily walk to the toilet. The user is gently and steplessly brought by the Liftolet, at the touch of a button, to the sitting or standing position.

The folding support handles can be folded back for easy access.

In the care sector, the Liftolet offers nursing staff a great deal of relief during care and the patient the necessary support when going to the toilet is difficult.

The Liftolet is also suitable for domestic wet areas, such as the toilet and bathroom. The Liftolet is not suitable for use under running water, such as under a shower.

The device must be prescribed by a medical specialist, who has tested beforehand and determined if the Liftolet is suitable for the

individual therapeutic goal of the patient. Furthermore, the medical specialist has determined the aid to be suitable according to measurements, weight and willingness of the patient to use the aid.

The aid is delivered via an authorised technician in compliance with the requirements of the country where it is being used and in strict accordance with the information and instructions in this manual for adjustments of the aid according to the measurements of the user. Only compliance of the regulations and instructions can lead to positive ergonomically effects.

We wish you every success when using the toilet seat lift Liftolet.

8 Product overview

8.1 Basic model

1. Lifting columns
2. Mounting flange
3. Base plate (option)
4. Carrier plate for the WC seat
5. WC-seat with lid
6. Cable channel
7. Upward folding support handles
8. Push button

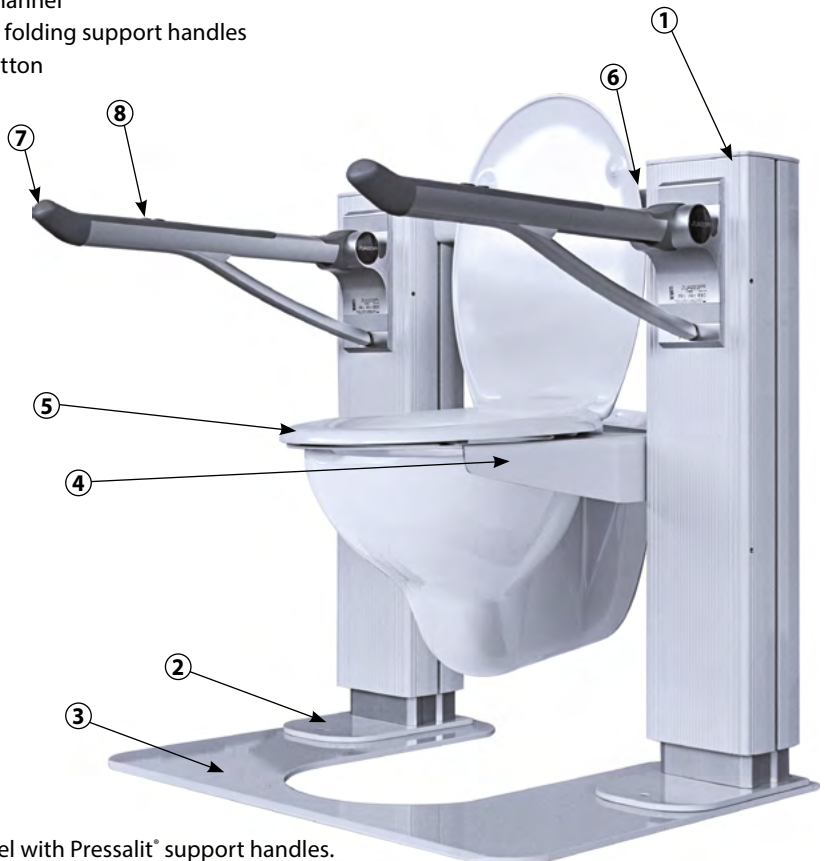


Image model with Pressalit® support handles.

8.2 Accessories / options

1. Base plate
2. Upward folding support handles
Pressalit® (please refer to the product overview 8.1)
3. Battery unit (Buffer or exchangeable battery, optional)

For a complete overview of our extensive range of accessories for the Liftoilet see item **11.2 Types and accessories** on page 20.



Image shown model narrow with standard support handles.

9 Initial operation

The reseller is to unpack the unit, ensure that the components and accessories listed in the scope of delivery are all present and undamaged, and give the buyer the initial instructions on use of the aid. Above all the reseller should read through the complete present user manual carefully, in order to then explain it to the customer in detail.

This way, with help of the reseller, the user as well as the attendant must become familiar with the correct operation of the aid.

Once the demonstration has been completed, the reseller must ensure the user and/or the assistant have fully understood the

basic functions of the equipment. This is the only way to prevent the user from dangerous situations.

The above mentioned requirements must be observed for first use and also for reuse.

The seller must give instruction for use, as well as explain the basic functions of the device according to MPG (medical products law) to qualified staff.

10 Assembly and adjustment

10.1 Basic model

One-man assembly:

- Liftolet can be mounted by one person.

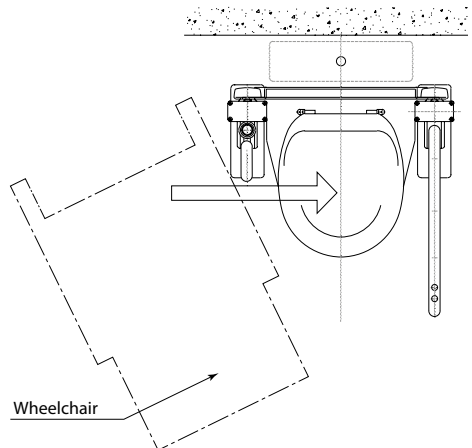
Space requirement:

- If the Liftolet is used by a wheel chair user, then the entry side is according to the space available.

Preparing for self-assembly:

- Unpack the product and remove the packing materials.
- Ensure that all supplied components are present and undamaged.
- Have the required tools, components and mounting elements ready to hand before beginning the assembly.
- The floor area on which the Liftolet is to be installed should be level. If the floor surface is uneven, measures should be taken on-site to produce a surface that is even or suitably leveled out.
- Ensure that the floor area on which the Liftolet is to be installed is dry and clean.
- When installing the Liftolet without the base plate, 6 stainless steel (at least V2A/ AISI304) flat-head screws are to be used for the secure anchoring of the device. The specialist responsible for the installation must ensure that the strength of the floor is sufficient for both the load and the selected mounting type of the Liftolet.
- The specialist is also responsible for the correct selection of a mounting system

(dowel, anchor etc.) appropriate to the existing conditions at the site. The person carrying out the works must observe the structural requirements for dowel anchoring.



Mounting without use of the base plate:

- After the conditions are given for mounting, place the Liftolet over the WC and position correctly.

Attention:
When positioning the Liftolet, do not take hold of the cable channel (6), carrier plate (4) or support handles (7), however only hold on to the lifting columns.

- Lower the carrier plate of the WC onto the WC bowl by loosening the 3 screws located underneath the toilet seat on either side.
- Fasten the 3 screws on either side again once the carrier plate rests on the WC.

Attention:
Hold the carrier plate when loosening the screws to prevent it from falling onto the WC.

- It is recommended to raise the Liftolet once before marking the bore holes onto the floor to ensure the Liftolet does not brush against anything, also when the lid is open.

Attention:
Ensure the Liftolet does not fall over whilst rising.

- Only after this test mark the holes on the floor for the mounting flanges and carry out the base fixing. When tightening the floor mounting screws, ensure the Liftolet is not braced by eventual floor unevenness. In such a case the mounting flanges should be adequately supported.
- Please note that the structural rules are to be observed. It must be ensured that the floor condition can withstand the load and no cables in the ground are damaged.

Silicone joint

Sanitary silicone must be properly attached around the mounting flange or when using a base plate use silicone joint with sanitary silicone around the base plate.

Non-liability

The person carrying out the works is solely responsible for proper and professional mounting of the Liftolet. The manufacturer accepts no liability for the carried out works or any damages resulting from this.

Initial Operation

On first use of the system and in case of error it is necessary to restart the system by following the steps given below.

First installation / initialization of the drive system:

- If there is an audible signal (simple BEEP) when the function buttons UP or DOWN are pressed, the system is ready for use but the position of the actuators is either unknown or more than 5mm apart.
- Press and hold the DOWN button (rear button on the right or left armrest) until the actuators begin to move.
- Now press and hold the button again until the actuators have reached the lower end position.
- Next press and hold the UP button (front button on the right or left armrest) until the lifting columns have moved approximately 5cm upwards.
- Then press and hold the DOWN button again until the lifting columns have reached the lower end position again and the control system has switched off both drives.
- The drive sensors are now aligned.
- The system is now initialized and can be put into operation.

“Position Lost” during operation:

- If the system is overloaded or there is a height difference between the actuators of 5mm or more, the system stops.
- When the function buttons UP or DOWN are pressed, a BEEP is heard.
- The system must be initialized. Follow the instructions given in the section “First installation / initialization of the drive system”.

Failure to operate / control error / Fatal Error Reset:

- In the event that the system fails to function and it is also not possible to reinitialize the actuators, there could be a control software error.
- In this case, the control system software can be reset to its former state prior to the occurrence of the error through a so-called “Fatal Error Reset”.
- To carry out the Fatal Error Reset, press and hold both function buttons (UP and DOWN) for approximately 20 seconds.
- During the reset a double-BEEP will be heard. After this sound has subsided the reset is successfully completed.

**Attention!**

If the system is unable to be operated after both initialization and a Fatal Error Reset, please contact our customer service.

For further queries please contact our technical customer service at 0049 6093 944-0.

Functionality:

Push buttons are embedded in all offered support arms for raising and lowering the WC seat lift together with the support arms.

Sit down:

To sit down, firstly raise the toilet seat until one can comfortably sit down from a standing position onto the edge of the toilet seat. At the touch of a button, the seat and armrests are then simultaneously lowered to the standard toilet seat height. Thereby the user is lowered to his/hers normal seating position.

Stand up:

It is just as comfortable to stand up as it is to sit down. At the touch of a button, the seat and support arms are lifted upwards until the user is straightened up again.

Intimate care:

The Liftolet is optionally available with an opening at the front of the seat, which facilitates intimate washing. For this the seat should be slightly raised.

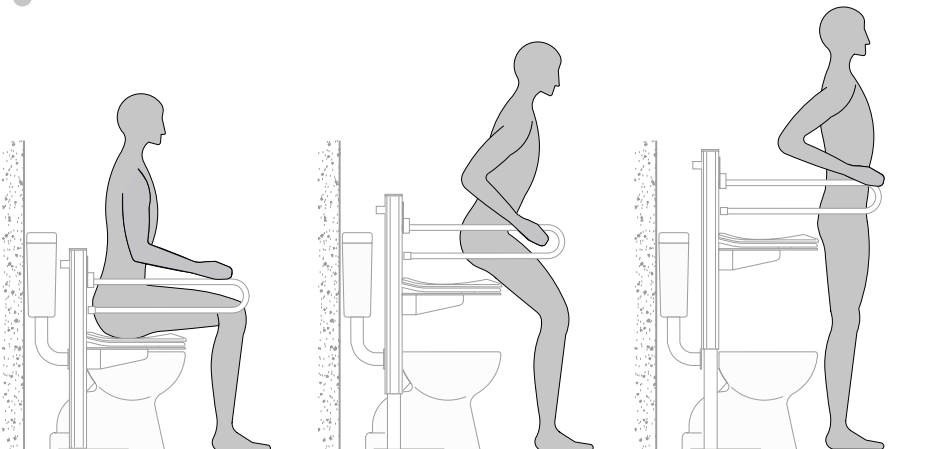
Support arms:

The support arms can be folded upwards.

Attention:
To prevent unintended operation for example by children, the support arms should be folded upwardly when not in use.

Attention:
In doing so, ensure the feet always stay firmly on the ground. Max user weight 150 kg.

Attention:
Please also observe the safety instructions for the power supply.



For battery operated model (rechargeable battery) to charge the battery:

The battery needs to be charged at least 24 hour before first use of the WC seat lift in order to ensure proper function and to prolong the lifetime of the batteries. The battery charger is designed for operation on 230 V alternating current. Other versions are available upon request.

To charge plug the recharger cable (included in delivery) into the relevant socket (A) of the control unit. Now, plug the power plug into the socket.

A charging indicator is not available.



The battery is only to be charged in dry conditions.



When in use never allow the battery to discharge completely (observe charging indicator)! Ensure the battery is recharged (overnight) when in use on a daily basis. The battery cannot be overcharged as the battery charger switches automatically as soon as the battery is fully charged.

10.2 Accessories / options

Mounting with use of base plate

- If the Liftolet cannot be mounted to the ground due to the reasons mentioned on point 10.1 then the base plate offered as an accessory should be used. To prevent the base plate from moving, it should be slightly fastened to the ground for example by use of silicon glue.



Attention:
The plug must be accessible at all times.

For a complete overview of our extensive range of accessories for the Liftolet see item **11.2 Types and accessories** on page 20.

11 Types and accessories

11.1 Basic model


Article No.	Description
LT-1000	Toilet lift seat Liftolet
LT-1000-S	Toilet lift seat Liftolet Narrow

11.2 Accessories / options for Liftolet

Article No.	Description
LT-0100	Base plate for LT-1000 wit cutout
LT-0100-1	Base plate for LT-1000 closed
LT-0150	Support arms Pressalit®
LT-0151	Toilet paper holder for support arms Pressalit®

11.2 Accessories / options for Liftolet Narrow

Article No.	Description
LT-0100-S	Base plate for LT-1000-S with cutout
LT-0100-1S	Base plate for LT-1000-S closed

 **The most up-to-date overview of our extensive range of accessories for Liftolet and their description as well as much more useful information can be found on our homepage www.ato-form.com.**

For special problems, or if it seems the accessories you require are not demonstrated nor described, please contact us.

We may already have the right solution for you.

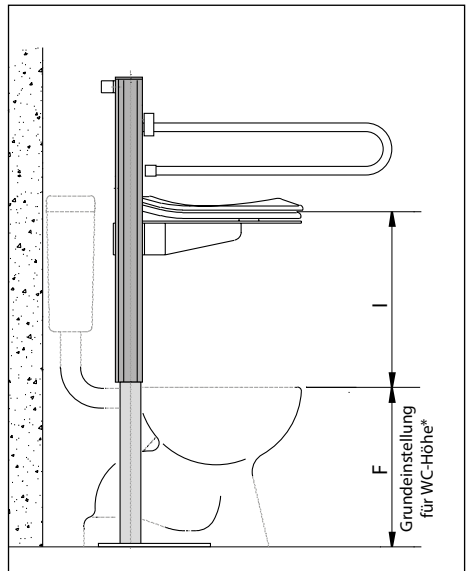
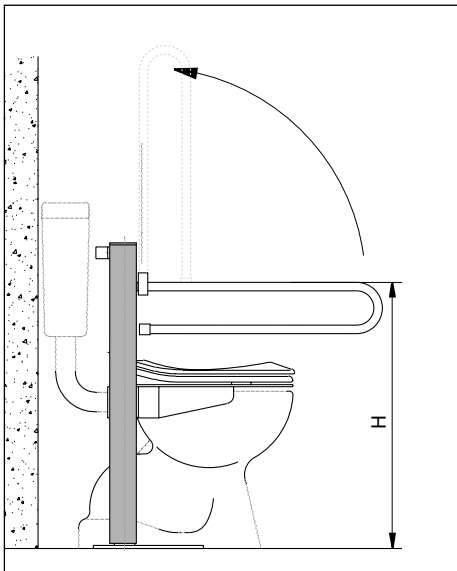
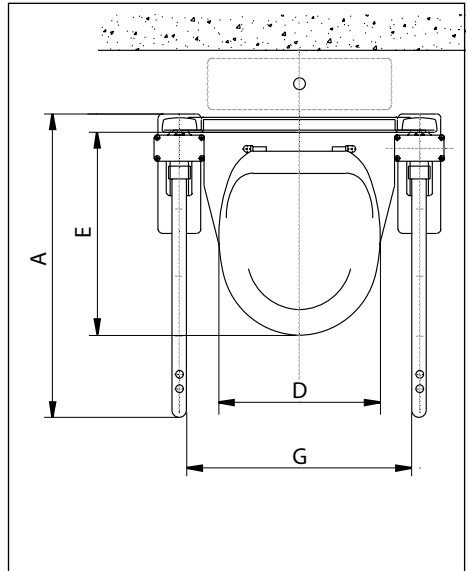
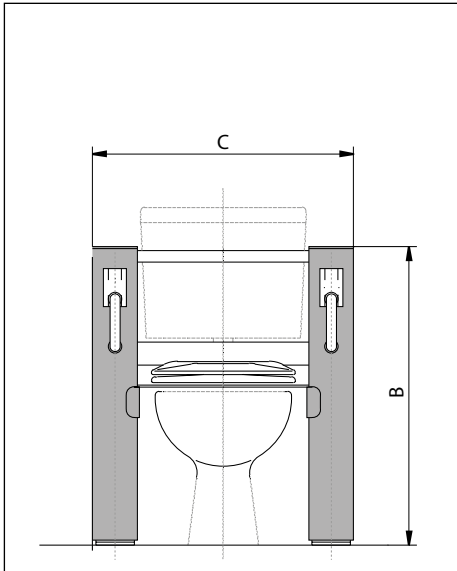
12 Technical details

Liftolet		Standard	Narrow
Indicative user height	cm	up to 190.0	
A Overall depth (base plate)	cm	62.0	62.0
B Product height	cm	79.0 to 119.0	79.0 to 119.0
C Overall width	cm	80.5	59.6
D Seat width	cm	44.6	44.6
E Seat depth	cm	47.0	47.0
F Seat height (default settings)*	cm	44.0	44.0
Arm supports length (standard, Pressalit)	cm	60.0	49.6
G Width between the arm supports	cm	59.5	54.0
H Arm supports height	cm	71.0	72.0
I Lifting height base plate	cm	40.0	40.0
Power consumption		140 W	140
Power consumption (Stand by)		5 W	5 W
Battery		optional	optional
Electric drive		28 V	24 V
Protection class (splash water protection)		IP54	IP65
Lifting speed	mm/s	6.2	7.4
Product weight	kg	75.0	40.0
Maximum load	kg	150.0	150.0
Battery operated model			
Protection class (splash water protection)		IPX5	

Note: Measurement tolerance range is +/- 0,5 cm

Technical changes reserved!

* The carrier plate is preset at a height of about 44 cm. The actual height of the carrier plate is adjusted to the height of your WC basin during installation.



Construction

All outside parts are made out of high quality corrosion-resistant materials: stainless steel, aluminium anodized and plastics.

The surface of the equipment parts which by normal use come in contact with the skin, consist of skin friendly plastics (WC-seat and support arms) or are coated with powder coating.

The metal parts and all screws are out of V2A-steel. (Exception: outer and inner profile tubes – aluminium linear actuators)

Operating conditions

Temperature: +5 °C to +40 °C

Relative humidity: 20% to 90% – noncondensing

Air pressure: 800 to 1060 hPA
(Operation in an estimated height \leq 2000 m)

13 Cleaning and disinfection

In order to ensure lasting trouble-free operation of the Liftolet in almost all operating conditions influenced by the existing conditions on site, please note the following:

Clean the device regularly with a mild soapy solution. We recommend cleaning the Liftolet after each use.

When using cleaning agents, always follow the manufacturer's instructions.

After cleaning ensure that a light lubricating film is present on the sliding surface of the lifting columns.

The use of a sprayable lubricant to renew the lubricating film after each cleaning of the lifting columns is recommended.

Drive the device to the lowest position of the lifting columns once per week.

To do this, hold down the control button for the DOWN direction until both lifting columns have reached the lower end position and shut off.


By regularly initializing the drive sensors, a possible position difference can be prevented.

Disinfection:

For disinfecting, use household disinfectants and consider the following indications:

The assistant must wear suitable protective clothing (for example gloves) in order to avoid infections.

When using disinfecting agents always follow the instructions of the manufacturer.

 **Warning**
Do not use strong solvents, which could damage the surface of the device.

The use of a high-pressure cleaner will void the warranty.

14 Maintenance and overhaul

For the protection of the warranty and safety, it is especially important that the WC-seat lift is serviced regularly once a year from the date of purchase.

It is recommended to make service arrangements. The manufacture will gladly provide the maintenance check list to your specialist dealer on request.

Please contact your specialist dealer to carry out corrective maintenance works for your Liftolet.

The device should be checked by the manufacturer at the latest after 3 years.

Maintenance Checklist

Frame

- Metal parts; no signs of damage or wear, especially for adjustable parts
- Welding seams are intact
- Fasteners, bolts, nuts and springs are secure
- Replacement of parts if there is any sign of wear
- No signs of wear or damage of the safety components

Date	Service performed	Name	Sign

15 Operating life and Re-use

The Liftolet is made from high quality materials and is subject to a continuous quality control in our house. Because of this and the solid construction, the expected operating life of our product is up to 5 years, depending on the usage intensity and number of re-uses, under normal and compliance with its intended use (according to the instructions given in our user manual).

The expected operating life does not apply to wear parts.

The product Liftolet was designed so it could be reused after the application of various measures.

Following measures should be followed:

- Thorough cleaning and disinfecting using appropriate cleaning agents.
- Replacement of wear parts
- Maintenance, following the maintenance schedule of the manufacturer or authorized specialist dealer.
- Preparing accompanying documents and release for re-use.

16 Faults, repairs, spare parts

If your toilet seat lift Liftolet cannot be operated?

Please ensure.....

- The plug is plugged in the socket and is supplied with power.
- All plug connections are plugged in correctly and secured.

Try and shut down the fault.

Failing that, contact your specialist dealer / reseller.

Only original accessories and original spare parts may be used. Non-compliance with these instructions and repairs carried out or modifications made to the Liftolet or its parts by unauthorized persons, voids any warranties.

In these cases, any product liability granted by the manufacturer (ATO FORM GmbH, Zur Lauterhecke 34, 63877 Sailauf, Germany) is voided in advance.

For all questions about spare parts and accessories contact your specialist dealer or the ATO FORM-Service 0049 6093-944-0.

 **Spare parts and accessories must not be removed or replaced while the patient is using the toilet seat lift!**

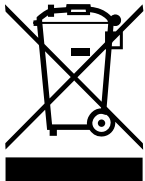
17 Storage

Keep this operating manual in a safe place, where you or care and maintenance staff have access to it.

The current version of these instructions for use can be found on our homepage in the download area.

You can find more information about the product on our homepage at www.ato-form.com or under this QR code.

Disposal of battery operated devices



The battery pack must not be disposed of together with normal household waste at the end of its service life. Please observe the legal requirements in your area. Your municipal government and locally based waste disposal companies will be happy to provide you with information in this regard.

In environmental protection matters:

All packaging parts are re-useable. The cardboard packaging is to be recycled as waste paper. We therefore use paper as filler material. Possible used plastic film of the packaging are made out of PE and are therefore low in pollutant and can either be recycled or burnt.

Complete Range:

- Head and body protection
- Walking aids
- Gait trainer
- Standing aids
- Seating aids
- Hoists
- Customized solutions

Thank you for your interest in our products.
For questions please contact ATO FORM GmbH or
your specialist dealer.

Your ATO FORM Team



ATO FORM GmbH

Zur Lauterhecke 34, 63877 Sailauf, Germany
Tel. +49 6093 944-0, Fax +49 6093 944-444
E-Mail: info@ato-form.com

www.ato-form.com

Your specialist dealer