

User manual

Therapy chair

Elefant

Dear Customer!

We would like to thank you for your trust extended to us and for purchasing our product.

The therapy chair Elefant distinguishes itself by its quality, security, easy operation and modern design.

For optimal use of this aid, we ask you and possible other users to carefully read this operating manual.



Please read through these instructions carefully before first use and handle equipment appropriately!

2 Table of contents

Topic	Page
1 Foreword	3
2 Table of contents	4
3 Safety instructions	5
4 Warranty and product liability	9
5 CE sign and position	9
6 Indications and prophylaxis	10
7 Purpose of use	10
8 Product overview	11
8.1 Basic model	11
8.2 Accessories / options	12
9 Initial operation	13
10 Assembly and adjustment	14
10.1 Basic model	14
10.2 Accessories / options	16
11 Types and accessories	17
11.1 Basic model	17
11.2 Accessories / options	17
12 Technical details	18
13 Cleaning and disinfection	19
14 Maintenance and overhaul	20
15 Operating life and Re-use	22
16 Faults, repairs, spare parts	22
17 Storage	23

3 Safety instructions

The therapy chair Elephant is CE-marked and fulfils the requirements of the latest directives. It was developed in line with most recent findings. Production is subject to an on-going quality control.

Please read this user manual carefully before operating the therapy chair.

The user manual is an integral part of the Rehab aid. In case of loss, request a new copy or download directly from our download area on our homepage www.ato-form.com.

Please keep the user manual in a safe place, accessible to care and maintenance staff.

The user manual does not replace the experience of supervisory staff with the


experience and knowledge of operators, which they gained from (for example) training courses.

In the event of specific or difficult applications, the user manual represents a guide to the most important handling. Ensure all users of this aid understand its handling and the meaning of the symbols attached to the device.

Accidents can be prevented when technical instructions according to the EWG guidelines are followed.

Protective coverings, labels and warning notices may not be removed.


The maximum load-bearing capacity of the therapy chair Elephant is 30 kg.

 **Regular monitoring at your specialist dealer (at least once a year) lengthens the life time of the therapy chair and gives you security. Please also see section: maintenance and overhaul.**

3 Safety instructions

- Before mounting or using the therapy chair Elefant carefully read all instructions of this user manual, as these have been drawn up for your safety and as a guideline for the correct use and maintenance of this product. This operating manual is an indispensable component of the delivery and should be stored carefully for further use.
- The operating manual is intended for retailers and users of the therapy chair Elefant, (or their carers). It contains the required information to secure the correct use of the product, it cannot, however replace the necessary experience of the user or assistant in handling the device.
- The reseller has the duty to deliver the device ready for operation and to explain precisely the functions and technical data of the device, as well as provide the necessary support and briefing needed for a correct and efficient use of the device.
- The given instructions of the operating manual, refers to the point in time of the device being placed on the market. The manufacturer reserves the right to introduce any modifications which prove necessary to the device and associated operating manual, without being bound to change previous devices and associated operating manuals.
- Use of the rehabilitation aid and its accessories, must be administered under medical supervision.
- The therapy chair Elefant must only be operated under supervision of a qualified person, or respectively a family member of the user.
- Never leave the user of the aid unattended.
- The therapy chair Elefant may only be operated by persons who have familiarized themselves with the standards and rules of the present operating manual.
- The Elefant may only be used by persons of a suitable stature and physical aptitude.
- Never place a patient in an aid, which is not coordinated with his or hers body height and weight.
- Adjust settings only in the unloaded condition.
- Do not place any hot beverages or objects onto the aid you have purchased, as this would seriously damage the aid.
- Do not load any heavy objects onto the aid, as this would impair the structure, the centre of gravity and consequently impair the balance.
- Always ensure there are no obstacles in operating range of the rehab aid, such as carpets, stairs or objects on the floor, which could lead to the therapy chair Elefant overturning.
- Move all objects out of the way, which could be hit or fall whilst operating the aid.
- Never use the aid on rough terrain, steeply sloping ground or stairs.
- Do not move the aid, if a person is standing in the aid.

- Do not use the rehab aid before ensuring a complete and correct fitting of the safety belts, if available.
- Check all adjustable parts are locked, before every use of the aid.
- Check the locking bolts of the connection between a roller board and therapy chair.
- Apply the lever brakes for a secure stand when stopping.
- Always lock brakes before use, when setting, adjusting functions or accessories.
- Please note the individual and overall safety relevant information when using several rehabilitation aids simultaneously.
- All aspects of spatial influences (uneven, wet and smooth floors, steps or similar) must be taken into consideration by the carer or user.
- Do not use the therapy chair Elefant before checking the wheels of the aid.
- Wet and dirtied wheels can decrease the braking effect.
- Check regularly if all screws and handles etc. are firmly tightened. Worn and defect parts are to be repaired or replaced immediately. This is especially important to ensure a safe use of the rehab aid! Carefully check the clamping jigs and the like are securely fixed.
- Do not use the aid, if parts of it are damaged or missing. Missing parts are only to be replaced with original spare parts.
- Do not carry out any interferences or measurements if you are unsure of their effects. For your own safety contact the nearest service centre or contact the dealer directly.
- In case of accidents or malfunctions, contact the dealer or manufacturer from whom you purchased the device.
- The manufacturer is not liable for damage to persons, objects or animals resulting from false usage of the equipment by the user or third parties, through incorrect mounting of parts and accessories, by neglect or poor maintenance, neglect, through unauthorized alterations and modifications, usage of non-original spare parts or accessories, through unpredictable and exceptional events resulting from non-compliance of the regulations in the presented operating manual.
- Clean the therapy chair Elefant in accordance with the instructions given in the chapter „cleaning“.
- Please ensure before use the product is cleaned according to the cleaning instructions and if indicated also disinfected.
- Any serious incidents occurring in connection with the product must be reported to the manufacturer (ATO FORM GmbH) and the competent authority of the country in which the user is resident.

 Please keep the supplied connection board. When the footplate is fully removed, the elements in the four bottom holes must be tightened to ensure the stability of the seat.

We constantly develop new aids and improve existing products. We are happy to receive your suggestions of every description.

4 Warranty and product liability

ATO FORM grants the required by law warranty of your country against defects in workmanship and materials.

The warranty would be adversely affected if the customer's responsibility of servicing and/or daily maintenance is not carried out according to the guidelines and intervals prescribed by the supplier and/ or stated in the manual.

For further information, we refer to the ATO FORM homepage/download www.ato-form.com.

The warranty can only be sustained if the ATO FORM product is in use in the same country where it was purchased and if the product can be identified by the serial number. The warranty does not cover accidental damage, including damage caused by misuse or neglect.

The manufacturer's obligations transfer then to the person carrying out the modifications.

The warranty does not extend to non-durable parts, which are subject to normal wear and tear and need periodic replacement.

The warranty is null and void if non-original ATO FORM parts/accessories are used, or if the product is repaired or altered by anyone other than an authorized ATO FORM representative or by trained personnel officially recognized by ATO FORM for repair and maintenance of ATO FORM products.

ATO FORM reserves the right to inspect the product being claimed for and the relevant documentation before agreeing to the warranty claim and to decide upon whether to replace or repair the defective product. It is the customer's responsibility to return the item being claimed for under warranty to the address of purchase.

The warranty is given by ATO FORM or, subsequently, an ATO FORM dealer.

5 CE sign and position

The CE-sign with details of the manufacturer, article number, serial number and production date is located on the backside of the therapy chair Elefant.



6 Indications and prophylaxis

Paralysis or considerable reduction in the strength of the trunk muscles e. g.

- Quatroplegia
- Hemiplegia
- Diplegia
- Hydrocephalus
- Spina bifida
- And others

! The list of contraindications does not grant guarantee completeness. The patient's general condition is an important part of the risk assessment. In individual cases, the decision must be made by the attending physician, who must weigh the risks versus the expected benefits.

7 Purpose of use

The device must be prescribed by a medical specialist, who has tested beforehand and determined if the therapy chair Elephant is suitable for the individual therapeutic goal of the patient. Furthermore, the medical specialist has determined the aid to be suitable according to measurements, weight and willingness of the patient to use the aid.

The aid is delivered via an authorised technician in compliance with the requirements of the country where it is being used and in strict accordance with the information and instructions in this manual for adjustments of the aid according to the measurements of the user. Only compliance of the regulations and instructions can lead to positive ergonomically effects.

We wish you every success when using the therapy chair Elephant.

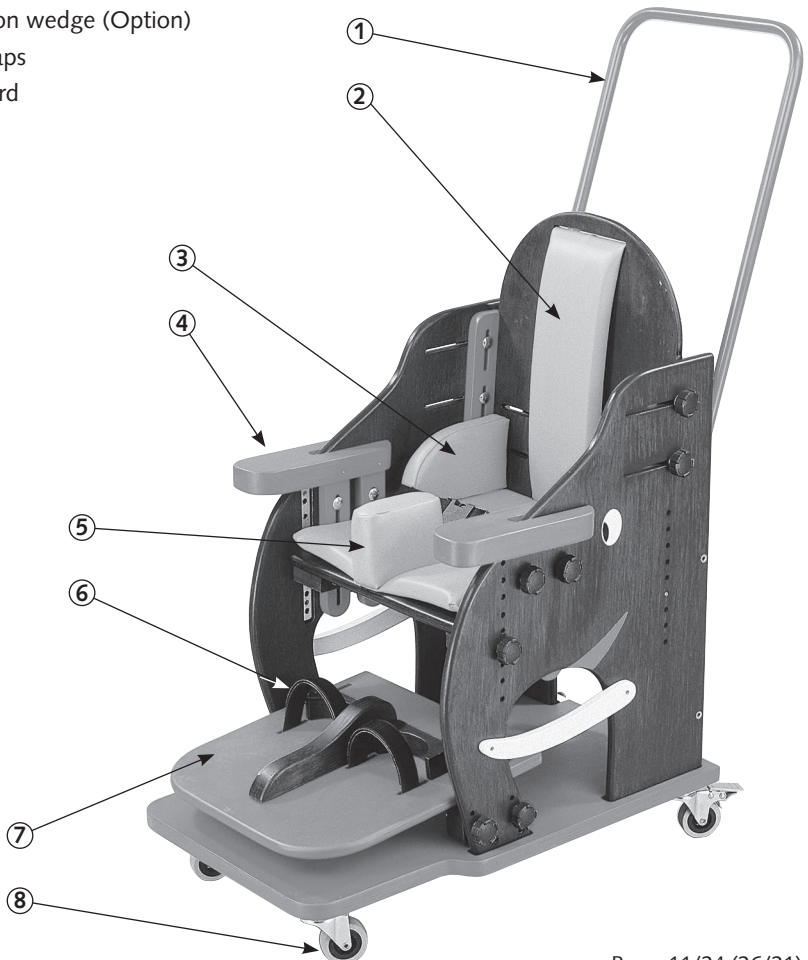
The Therapy Chair Elephant is suitable for physically disabled children aged up to approximately 6 years old.

Thanks to its great variability, the chair can be precisely adjusted by parents and therapists to suit the disability and needs of the child and enable appropriate posture correction as well as further therapeutic uses.

8 Product overview

8.1 Basic model

1. Pushbar
2. Backrest padding
3. Hip pelots
4. Armrest
5. Abduction wedge (Option)
6. Foot straps
7. Footboard
8. Rolls



8.2 Accessories / options

1. Backrest, long, incl. thoracic pads, for additional support of the upper body
2. Therapy table
3. Abduction wedge
4. Headrest (only in combination with long backrest)

For a complete overview of our extensive range of accessories for the Elefant see item 11.2 Types and accessories on page 17.



9 Initial operation

The reseller is to unpack the unit, ensure that the components and accessories listed in the scope of delivery are all present and undamaged, and give the buyer the initial instructions on use of the aid. Above all the reseller should read through the complete present user manual carefully, in order to then explain it to the customer in detail.

This way, with help of the reseller, the user as well as the attendant must become familiar with the correct operation of the aid.

Once the demonstration has been completed, the reseller must ensure the user and/or

the assistant have fully understood the basic functions of the equipment. This is the only way to prevent the user from dangerous situations.

The above mentioned requirements must be observed for first use and also for reuse.

The seller must give instruction for use, as well as explain the basic functions of the device according to MPG (medical products law) to qualified staff.

10 Assembly and adjustment

10.1 Basic model

Preparation:

Unpack the product and remove the packing materials.

The device is completely assembled.

Ensure that the product is complete and undamaged.

Adjusting the seat depth

Slightly loosen the number 6 and 7 knobs (on the right and left sides of the chair).

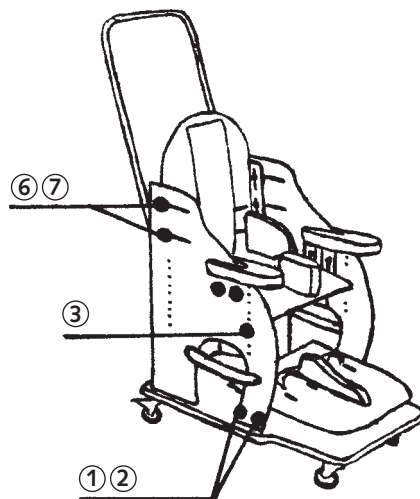
Adjust to the desired seat depth by sliding the backrest forward or back. Tighten the knobs.

Adjusting the seat height

Fully unscrew the number 3 knobs (on the right and left sides of the chair).

Two cables are located under the chair (front and rear): Pulling the cables to the front causes the locking bolts to retract. At the same time, move the seat board up or down one hole. In order to avoid jamming the seat unit, the seat board must always be moved alternately, front-to-rear or rear-to-front, and only moved up or down one hole at a time.

When the desired seat height is reached, tighten the number 3 knobs.



Adjusting the active seat position

Slightly loosen the number 3 knobs. Pull the rear cable under the chair toward the front, so that the locking bolt retracts, and move the seat up one hole at the same time. Tighten the number 3 knobs.

Please always check, before placing the child in the chair, that all locking bolts are engaged and the number 3 knobs are screwed on.

Adjusting the angle of the footplate

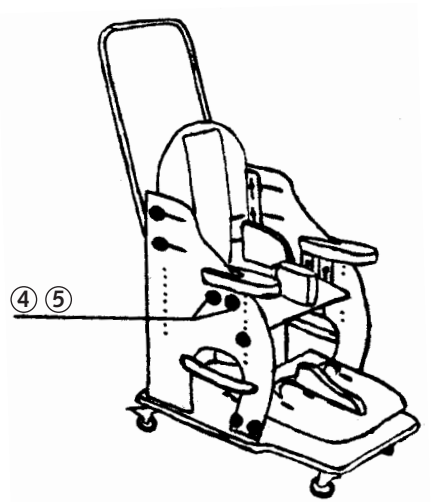
Slightly loosen the number 1 and 2 knobs (on the right and left sides of the chair). Set the desired angle and tighten the knobs.

Adjusting the length of the footrests

Slightly loosen the tilt-clamping levers behind the heel cups. Set the desired length and firmly tighten the tilt-clamping levers.

Adjusting the height of the armrests and the table

Slightly loosen the number 4 and 5 knobs (on the right and left sides of the chair). Set the desired height and tighten the knobs.



! Please ensure the height of the armrests is equal – this is important for mounting the table!

The table is placed on the armrests. Firmly push down the table bracket lever.

Adjusting the seat width

Slightly loosen the number 9 and 10 knobs (rear side of the backrest). Set the pelvic and torso pads to the desired seat width. Tighten the knobs.

! **Caution: do not pinch fingers!**
When setting to maximum seat width, please pull the backrest out from the guide and only then tighten the knobs.

Connecting the chair to the roller board

Press the wheel locks downwards. Pull out and turn the locking bolts of the snap locks so that they remain concealed. Insert the chair into the existing guide. Turn the snap locks and click them into place.

Removing the chair from the roller board

Press the wheel locks downwards. Pull out and turn the locking bolts of the snap locks so that they remain concealed. Place one foot on the roller board to hold it in place. Lift the rear of the seat slightly and pull it backwards. The connection is released.

Caution!
Always check, before a child is placed in the chair, that the steel plates are hooked under the cross pin in the guide and the snap locks are correctly locked in place!

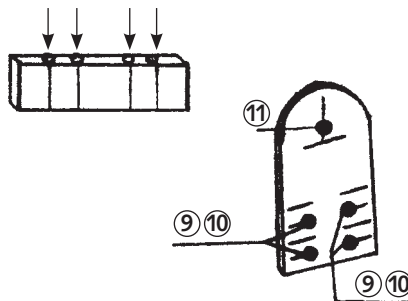
10.2 Accessories / options

Adjusting the shape of the headrest

Open the zipper. Slightly loosen the Allen screws and select the shape. Secure with Allen key (included).

Adjusting the height of the headrest

Slightly loosen the number 11 knob. Set the headrest to the desired height and tighten the knob.



For a complete overview of our extensive range of accessories for the Elefant see item 11.2 Types and accessories on page 17.

11 Types and accessories

11.1 Basic model

EF-1000 Therapy chair Elefant

11.2 Accessories / options


The therapy chair Elefant has the following system accessories:

EF-1100 Long back incl. thoracic pelotte

EF-1200 Therapy table

EF-1300 Abduction wedge

EF-1400 Headrest

 **The most up-to-date overview of our extensive range of accessories for the therapy chair Elefant and their description as well as much more useful information can be found on our homepage www.ato-form.com.**

For special problems, or if it seems the accessories you require are not demonstrated nor described, please contact us.

We may already have the right solution for you.

12 Technical details

Elefant

Article-No.		EF-1000
Seat width	cm	16 – 32
Seat depth	cm	24 – 32
Seat height (upwards from roller board)	cm	18 – 36
Calf length	cm	to 25
Weight roller board	kg	4.3
Weight chair (without table)	kg	13.5
Maximum capacity	kg	12 – 30
Age group	Age	ca. 3 – 6

Technical changes reserved!

Construction

The Therapy Chair Elefant consists of:

Coloured laminated plywood and powder-coated steel pipe for the push bar or handle.

The upholstery and support elements are made of foam and covered with artificial leather, which is easy to maintain.

13 Cleaning and disinfection

Leftovers, dirt and dust are always to be removed. Moving parts work easier, if you apply one drop of oil after cleaning.

Cleaning the wooden surfaces:

The wooden surfaces should be cleaned using a damp cloth.

Cleaning the rollers/wheels and joints:

Keep these clean at all times; regularly remove dust, hairs and other accumulating dirt from rollers.

Cleaning of textiles and imitation leather:

These are best cleaned using water and a mild detergent.

When using the cleaning agents the instructions of the manufacturer must be observed.

Disinfection:

For disinfecting, use household disinfectants and consider the following indications:

The assistant must wear suitable protective clothing (for example gloves) in order to avoid infections.

When using disinfecting agents always follow the instructions of the manufacturer.

Warning

Do not use strong solvents, which could damage the surface of the device.

● The use of a high-pressure cleaner will void the warranty.

! Ensure that the upholstery and wooden surfaces are kept clean. Urine and sweat can damage the product.

14 Maintenance and overhaul

For the protection of the warranty and safety, it is especially important that the therapy chair is serviced regularly once a year from the date of purchase.

It is recommended to make service arrangements. The manufacture will gladly provide the maintenance check list to your specialist dealer on request.

Please contact your specialist dealer to carry out corrective maintenance works for your therapy chair Elephant.

The device should be checked by the manufacturer at the latest after 3 years.

Maintenance Checklist

Castors

- No damage or wear
- Firm seat

Brakes

- Free from grease and dirt
- Full brake function
- No signs of damage or wear

Frame

- Wooden parts; no signs of damage or wear, especially for adjustable parts
- Fasteners, bolts, nuts and springs are secure
- Replacement of parts if there is any sign of wear
- No signs of wear or damage of the safety components

Upolstered padding

- No signs of wear

Date	Service performed	Name	Sign

15 Operating life and Re-use

The therapy chair Elefant is made from high quality materials and is subject to a continuous quality control in our house. Because of this and the solid construction, the expected operating life of our product is up to 5 years, depending on the usage intensity and number of re-uses, under normal and compliance with its intended use (according to the instructions given in our user manual).

The prerequisite for this is normal, intended use in accordance with the specifications in these operating instructions.

The expected operating life does not apply to wear parts.

The product Elefant was designed so it could be reused after the application of various measures.

Following measures should be followed:

- Thorough cleaning and disinfecting using appropriate cleaning agents.
- Replacement of wear parts
- Maintenance, following the maintenance schedule of the manufacturer or authorized specialist dealer.
- Preparing accompanying documents and release for re-use.

16 Faults, repairs, spare parts

Only original accessories and original spare parts may be used. Non-compliance with these instructions and repairs carried out or modifications made to the Elefant or its parts by unauthorized persons, voids any warranties.

In these cases, any product liability granted by the manufacturer (ATO FORM GmbH, Zur Lauterhecke 34, 63877 Sailauf, Germany) is voided in advance.

For all questions about spare parts and accessories contact your specialist dealer or the ATO FORM-Service +49 6093 944-0.

 **Spare parts and accessories must not be removed or replaced while the patient is using the therapy chair Elefant!**

17 Storage

Keep this operating manual in a safe place, where you or care and maintenance staff have access to it.

The current version of these instructions for use can be found on our homepage in the download area.



You can find more information about the product on our homepage at www.ato-form.com or under this QR code.



In environmental protection matters:
All packaging parts are re-useable. The cardboard packaging is to be recycled as waste paper. We therefore use paper as filler material. Possible used plastic film of the packaging are made out of PE and are therefore low in pollutant and can either be recycled or burnt.

Complete Range:

- Head and body protection
- Walking aids
- Gait trainer
- Standing aids
- Seating aids
- Hoists
- Customized solutions

Thank you for your interest in our products.
For questions please contact ATO FORM GmbH
or your specialist dealer.

Your ATO FORM Team



ATO FORM GmbH

Zur Lauterhecke 34, 63877 Sailauf, Germany

Tel. +49 6093 944-0, Fax +49 6093 944-444

E-Mail: info@ato-form.com

www.ato-form.com

Your specialist dealer