

User manual

Bed table

Saale

Dear Customer!

We would like to thank you for your trust extended to us and for purchasing our product.

The bed table SAALE distinguishes itself by its quality, security, easy operation and modern design.

For optimal use of this aid, we ask you and possible other users to carefully read this operating manual.



Please read through these instructions carefully before first use and handle equipment appropriately!

2 Table of contents

Topic	Page
1 Foreword	3
2 Table of contents	4
3 Safety instructions	5
4 Warranty and product liability	9
5 CE sign and position	9
6 Indications and prophylaxis	10
7 Purpose of use	10
8 Product overview	11
8.1 Basic model	11
8.2 Accessories / Options.....	12
9 Initial operation	12
10 Assembly and adjustment	13
10.1 Basic model	13
10.2 Accessories / Options.....	14
11 Types and accessories	15
11.1 Basic model	15
11.2 Accessories / Options.....	15
12 Technical details	16
13 Cleaning and disinfection	17
14 Maintenance and overhaul	18
15 Operating life and Re-use	20
16 Faults, Repairs, Spare parts	20
17 Storage	21

3 Safety instructions

The bed table SAALE is CE-marked and fulfills the requirements of the latest directives. It was developed in line with most recent findings. Production is subject to an on-going quality control.

Please read this user manual carefully before operating the bed table.

The user manual is an integral part of the Rehab aid. In case of loss, request a new copy or download directly from our download area on our homepage www.ato-form.com.

Please keep the user manual in a safe place, accessible to care and maintenance staff.

The user manual does not replace the experience of supervisory staff with the

experience and knowledge of operators, which they gained from (for example) training courses.



In the event of specific or difficult applications, the user manual represents a guide to the most important handling.

Ensure all users of this aid understand its handling and the meaning of the symbols attached to the device.

Accidents can be prevented when technical instructions according to the EWG guidelines are followed.

Protective coverings, labels and warning notices may not be removed.

The maximum load-bearing capacity of the SAALE is 10 kg.

 **Regular monitoring at your specialist dealer (at least once a year) lengthens the life time of the bed table and gives you security.**
 **Please also see section: maintenance and overhaul.**

3 Safety instructions

- Before mounting or using the bed table SAALE carefully read all instructions of this user manual, as these have been drawn up for your safety and as a guideline for the correct use and maintenance of this product. This operating manual is an indispensable component of the delivery and should be stored carefully for further use.
- The operating manual is intended for retailers and users of the bed table SAALE, (or their carers). It contains the required information to secure the correct use of the product, it cannot, however replace the necessary experience of the user or assistant in handling the device.
- The reseller has the duty to deliver the device ready for operation and to explain precisely the functions and technical data of the device, as well as provide the necessary support and briefing needed for a correct and efficient use of the device.
- The given instructions of the operating manual, refers to the point in time of the device being placed on the market. The manufacturer reserves the right to introduce any modifications which prove necessary to the device and associated operating manual, without being bound to change previous devices and associated operating manuals.
- Adjust settings only in the unloaded condition.
- Do not place any hot beverages or objects onto the aid you have purchased, as this would seriously damage the aid.
- Do not load any heavy objects onto the aid, as this would impair the structure, the centre of gravity and consequently impair the balance.
- Always ensure there are no obstacles in operating range of the rehab aid, such as carpets, stairs or objects on the floor, which could lead to the bed table SAALE overturning.
- Move all objects out of the way, which could be hit or fall whilst operating the aid.
- Never use the aid on rough terrain, steeply sloping ground or stairs.
- Check all adjustable parts are locked, before every use of the aid.
- Apply the lever brakes for a secure stand when stopping.
- Always lock brakes before use, when setting, adjusting functions or accessories.
- Please note the individual and overall safety relevant information when using several rehabilitation aids simultaneously.
- All aspects of spatial influences (uneven, wet and smooth floors, steps or similar) must be taken into consideration by the carer or user.
- Do not use the SAALE before checking the wheels of the aid.
- Wet and dirtied wheels can decrease the braking effect.
- Check regularly if all screws and handles etc. are firmly tightened. Worn and

defect parts are to be repaired or replaced immediately. This is especially important to ensure a safe use of the rehab aid! Carefully check the clamping jigs and the like are securely fixed.

- Do not use the aid, if parts of it are damaged or missing. Missing parts are only to be replaced with original spare parts.
 - Do not carry out any interferences or measurements if you are unsure of their effects. For your own safety contact the nearest service centre or contact the dealer directly.
 - In case of accidents or malfunctions, contact the dealer or manufacturer from whom you purchased the device.
 - The manufacturer is not liable for damage to persons, objects or animals resulting from false usage of the equipment by the user or third parties, through incorrect mounting of parts and accessories, by neglect or poor maintenance, neglect, through unauthorized alterations and modifications, usage of non-original spare parts or accessories, through unpredictable and exceptional events resulting from non-compliance of the regulations in the presented operating manual.
 - Clean the bed table SAAL in accordance with the instructions given in the chapter „cleaning“.
 - Please ensure before use the product is cleaned according to the cleaning instructions and if indicated also disinfected.
- Any serious incidents occurring in connection with the product must be reported to the manufacturer (ATO FORM GmbH) and the competent authority of the country in which the user is resident.

We constantly develop new aids and improve existing products. We are happy to receive your suggestions of every description.

4 Warranty and product liability

ATO FORM grants the required by law warranty of your country against defects in workmanship and materials.

The warranty would be adversely affected if the customer's responsibility of servicing and/or daily maintenance is not carried out according to the guidelines and intervals prescribed by the supplier and/ or stated in the manual.

For further information, we refer to the ATO FORM homepage/download www.ato-form.com.

The warranty can only be sustained if the ATO FORM product is in use in the same country where it was purchased and if the product can be identified by the serial number. The warranty does not cover accidental damage, including damage caused by misuse or neglect.

The manufacturer's obligations transfer then to the person carrying out the modifications.

The warranty does not extend to non-durable parts, which are subject to normal wear and tear and need periodic replacement.

The warranty is null and void if non-original ATO FORM parts/accessories are used, or if the product is repaired or altered by anyone other than an authorized ATO FORM representative or by trained personnel officially recognized by ATO FORM for repair and maintenance of ATO FORM products.

ATO FORM reserves the right to inspect the product being claimed for and the relevant documentation before agreeing to the warranty claim and to decide upon whether to replace or repair the defective product. It is the customer's responsibility to return the item being claimed for under warranty to the address of purchase.

The warranty is given by ATO FORM or, subsequently, an ATO FORM dealer.

5 CE sign and position

The CE label with details of the manufacturer, article number, serial number and date of manufacture is located on the stand pipe of the bed table.



6 Indications and prophylaxis

The SAALE bed table offers relief and support, e.g. for eating and personal hygiene from the bed. The height-adjustable frame with castors can be positioned under the bedstead. The table top can be tilted and can thus be optimally adjusted to the bedridden person, for example for reading. The horizontally fixed side plate serves optimally as a shelf or for placing drinks.

There are no known contraindications for the use of this aid.

! The list of contraindications does not grant guarantee completeness. The patient's general condition is an important part of the risk assessment. In individual cases, the decision must be made by the attending physician, who must weigh the risks versus the expected benefits.

7 Purpose of use

The device must be prescribed by a medical specialist, who has tested beforehand and determined if the SAALE is suitable for the individual therapeutic goal of the patient. Furthermore, the medical specialist has determined the aid to be suitable according to measurements, weight and willingness of the patient to use the aid.

The aid is delivered via an authorised technician in compliance with the requirements of the country where it is being used and in strict accordance with the information and instructions in this manual for adjustments of the aid according to the measurements of the user. Only compliance of the regulations and instructions can lead to positive ergonomically effects.

We wish you every success when using the bed table SAALE.

8 Product overview

8.1 Basic model

1. Base frame
2. Castors with locking brakes
3. Stand pipe
4. Holder for the table top
5. Star grip for height adjustment
6. Star grip for tilt adjustment
7. Table top (infinitely adjustable) with edge protection
8. Side plate



8.2 Accessories /Options

For a complete overview of our extensive range of accessories for the SAALE see item 11.2 Types and accessories on page 15.

9 Initial operation

The reseller is to unpack the unit, ensure that the components and accessories listed in the scope of delivery are all present and undamaged, and give the buyer the initial instructions on use of the aid. Above all the reseller should read through the complete present user manual carefully, in order to then explain it to the customer in detail.

This way, with help of the reseller, the user as well as the attendant must become familiar with the correct operation of the aid.

Once the demonstration has been complet-

ed, the reseller must ensure the user and/or the assistant have fully understood the basic functions of the equipment. This is the only way to prevent the user from dangerous situations.

The above mentioned requirements must be observed for first use and also for reuse.

The seller must give instruction for use, as well as explain the basic functions of the device according to MPG (medical products law) to qualified staff.

10 Assembly and adjustment

10.1 Basic model

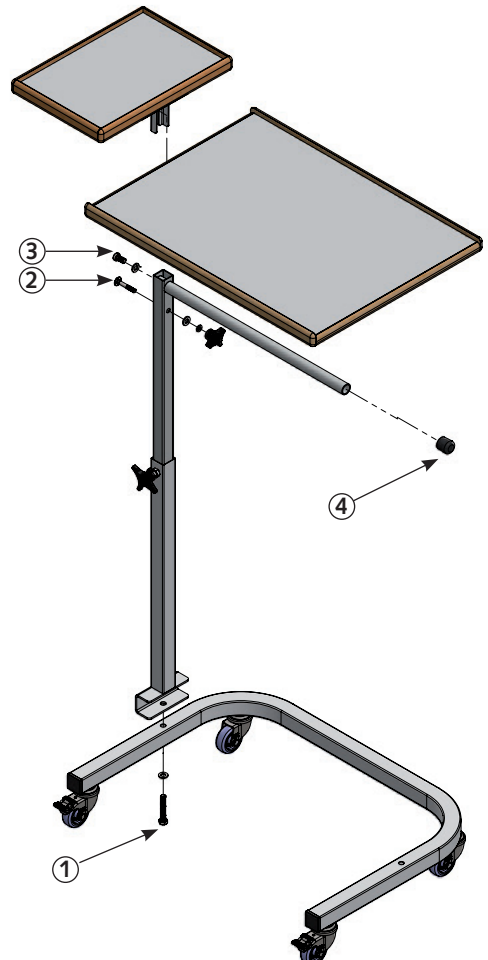
Preparing for self-assembly:

- Unpack the product and remove the packing materials.
- Ensure that all supplied components are present and undamaged.
- Have the required tools, components and mounting elements ready to hand before beginning the assembly.

Assembly

Set the locking brakes while assembling the table.

1. Mount the stand pipe with the pre-assembled table top holder as required on the left or right side to the base frame using a screw (M8 x 50) and a washer (A 8.4).
2. Slide the table top (7) with the angle fitting onto the table top holder first and fix the angle fitting with the supplied screw (M6 x 40) a plastic washer (M8), a metal washer (A 6.4) and a star grip (40DM6).
3. Now you can attach the side plate (8) using the screw (M8 x 16) and washer (M 8.4) supplied.
4. Close the tube end of the table support with the plastic cover.



Height adjustment (5)

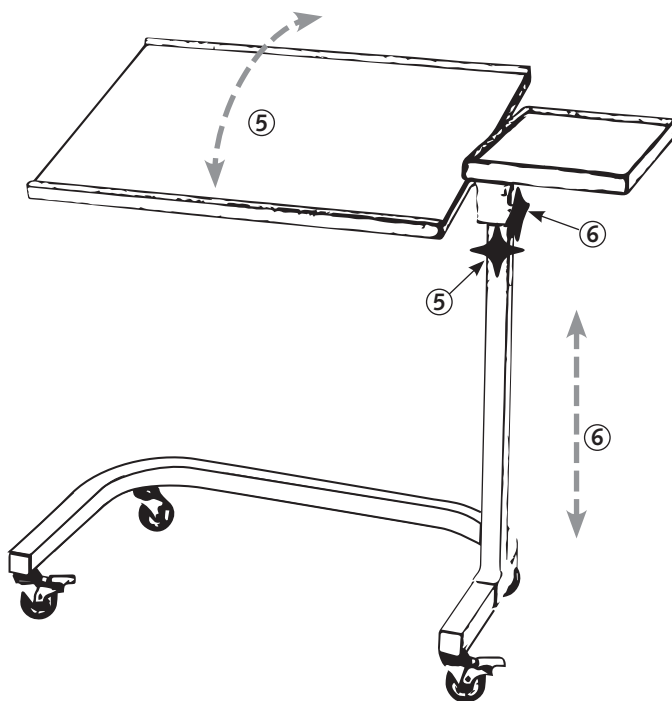
The height of the table top can be adjusted within a range of 32 cm. To do this, loosen the lower of the two star handles.

Make sure that the star grip is well tightened again after the desired height adjustment.

Tilt adjustment Table top (6)

The table top can be tilted within a range of +75 to -75 degrees. To do this, loosen the upper of the two star grips.

Set the desired inclination of the table top and tighten the star grip again.



10.2 Accessories /Options

For a complete overview of our extensive range of accessories for the SAALE see item 11.2 Types and accessories on page 15.

Attention
Make sure that the star grip is well tightened again after adjusting the height.


11 Types and accessories

11.1 Basic model

Item-no.	EAN-Nr.	Description
KA-B-2023	4251110600024	Bed table SAALE

11.2 Accessories /Options

As of today, there are no accessories available for the SAALE bed table.

 **The most up-to-date overview of our extensive range of accessories for SAALE and their description as well as much more useful information can be found on our homepage www.ato-form.com.**

For special problems, or if it seems the accessories you require are not demonstrated nor described, please contact us.

We may already have the right solution for you.

12 Technical details

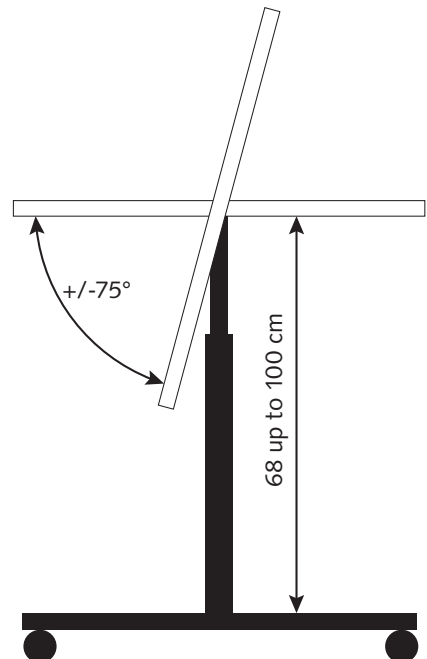
Bed table SAALE

Height of the table top (adjustable)	68 up to 100 cm
Width x depth table surface	54 x 40 cm
Width x depth side plate	32 x 22 cm
Tilt angle table surface (infinitely adjustable)	+75 up to -75 Degrees
Maximum load	10 kg

Technical changes reserved!

Construction

The base frame is made of powder-coated tubular steel. The table top is made of plywood, the edge protector on the table top is made of beech wood. The 4 safety castors are made of polyamide, the two front ones with total brake.



13 Cleaning and disinfection

Leftovers, dirt and dust are always to be removed. Moving parts work easier, if you apply one drop of oil after cleaning.

Cleaning the metal parts:

The painted and chromed parts of the bed table should only be cleaned using a soft cloth and mild and alcohol based customary cleaning agents.

Cleaning the imitation and wooden surfaces:

The wooden surfaces should be cleaned using a damp cloth.

Cleaning the rollers/wheels and joints:

Keep these clean at all times; regularly remove dust, hairs and other accumulating dirt from rollers.

When using the cleaning agents the instructions of the manufacturer must be observed.

Disinfection:

For disinfecting, use household disinfectants and consider the following indications:

The assistant must wear suitable protective clothing (for example gloves) in order to avoid infections.

When using disinfecting agents always follow the instructions of the manufacturer.



Warning

Do not use strong solvents, which could damage the surface of the device.



The use of a high-pressure cleaner will void the warranty.

14 Maintenance and overhaul

For the protection of the warranty and safety, it is especially important that the bed table is serviced regularly once a year from the date of purchase.

It is recommended to make service arrangements. The manufacture will gladly provide the maintenance check list to your specialist dealer on request.

Please contact your specialist dealer to carry out corrective maintenance works for your SAALE.

The device should be checked by the manufacturer at the latest after 3 years.

Maintenance Checklist

Castors

- No damage or wear
- Firm seat

Brakes

- Free from grease and dirt
- Full brake function
- No signs of damage or wear

Frame

- Metal parts; no signs of damage or wear, especially for adjustable parts
- Welding seams are intact
- Fasteners, bolts, nuts and springs are secure
- Replacement of parts if there is any sign of wear
- No signs of wear or damage of the safety components

Wooden surfaces

- No signs of wear

15 Operating life and Re-use

The SAALE is made from high quality materials and is subject to a continuous quality control in our house. Because of this and the solid construction, the expected operating life of our product is up to 5 years, depending on the usage intensity and number of re-uses, under normal and compliance with its intended use (according to the instructions given in our user manual).

The expected operating life does not apply to wear parts.

The product SAALE was designed so it could be reused after the application of various measures.

Following measures should be followed:


- Thorough cleaning and disinfecting using appropriate cleaning agents.
- Replacement of wear parts
- Maintenance, following the maintenance schedule of the manufacturer or authorized specialist dealer.
- Preparing accompanying documents and release for re-use.

16 Faults, Repairs, Spare parts

Only original accessories and original spare parts may be used. Non-compliance with these instructions and repairs carried out or modifications made to the SAALE or its parts by unauthorized persons, voids any warranties.

In these cases, any product liability granted by the manufacturer (ATO FORM GmbH, Zur Lauterhecke 34, 63877 Sailauf, Germany) is voided in advance.

For all questions about spare parts and accessories contact your specialist dealer or the ATO FORM-Service +49 6093 944-0.

 **Spare parts and accessories must not be removed or replaced while the patient is using the bed table!**

Also in our programme of the SAALE series

Free standing bed lifting pole Saale



You can find more information at
<https://www.ato-form.com/en/pd/bed-table-saale/>

17 Storage


Keep this operating manual in a safe place, where you or care and maintenance staff have access to it.

The current version of these instructions for use can be found on our homepage in the download area.



You can find more information about the product on our homepage at www.ato-form.com or under this QR code.





**In environmental protection matters:
All packaging parts are re-useable. The cardboard packaging is to be recycled as waste paper. We therefore use paper as filler material. Possible used plastic film of the packaging are made out of PE and are therefore low in pollutant and can either be recycled or burnt.**

Complete Range:

- Head and body protection
- Walking aids
- Gait trainer
- Standing aids
- Seating aids
- Hoists
- Customized solutions

Thank you for your interest in our products.
For questions please contact ATO FORM GmbH
or your specialist dealer.

Ihr ATO FORM Team



ATO FORM GmbH,

Zur Lauterhecke 34, 63877 Sailauf, Germany
Tel. +49 6093 944-0, Fax +49 6093 944-444,
E-Mail: info@ato-form.com

www.ato-form.com

Your specialist dealer